

General Specifications

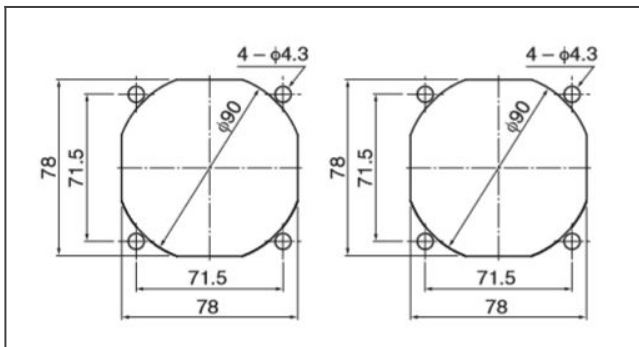
Motor Protection: Auto Restart
 Insulation Resistance: 10M Ohm or over with a DC500V Megger
 Dielectric Withstand Voltage: AC 700V 1st
 Allowable Ambient Temperature Range:
 -10 degree C ~ +70 degree C (Operating)
 -4 degree C ~ +70 degree C (Storage)
 (non-condensing environment)

order part 08038RA-48T-EAE-00 Ball Bearing Fans/ E Type DC Fans



DC Fans

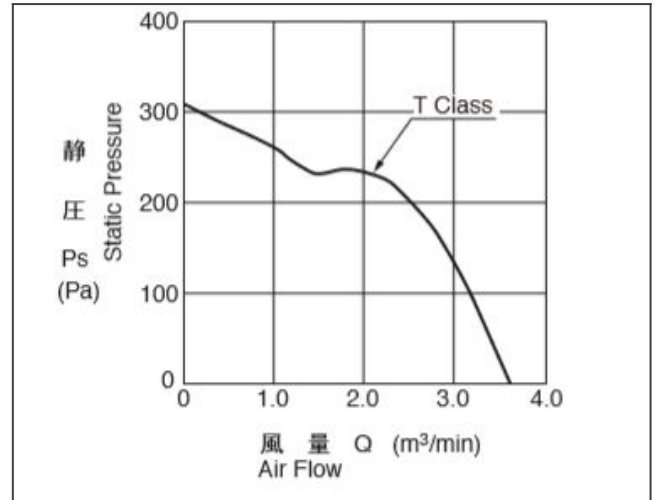
08038RA-48T-EAE-00 panel cut out



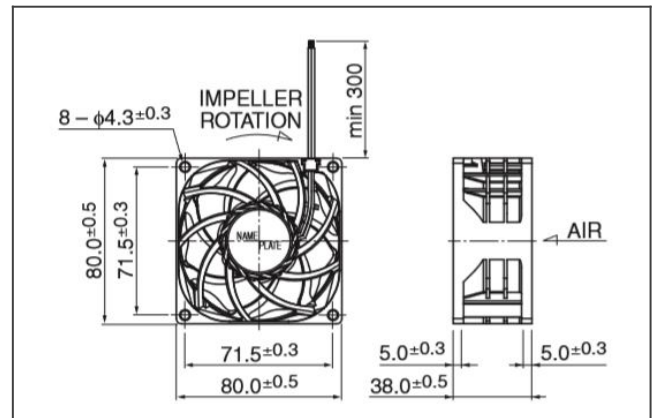
Material

Casing: Plastic (Black) UL94V-0
 Impeller: Plastic (Black) UL94V-0
 Lead Wire: UL10368, AWG24, +Red, -Black

08038RA-48T-EAE-00 characteristic curve



08038RA-48T-EAE-00 product drawing



Detailed Specifications

Expected Life: 40 degree C 70,000 Hours (L10)

DC Fan: Ball Bearing Fans / E Type

Nominal Voltage: 48[V]

Operating Voltage Lower: 36[V]

Operating Voltage Upper: 75[V]

Industry: Food Processing / Power Tools / Industrial Machines / Consumer Technology

Current: 0.63[A]

Input Power: 30.2[W]

Speed: 9500[min^{-1}]

Max. Air Flow: 3.63[m³/min]

Max. Air Flow: 128[CFM]

Max. Static Pressure: 309.5[Pa]

Max. Static Pressure: 1.24[In H₂O]

Noise: 63[dB]

Mass: 158[g]

Fan Size: 80[mm]

Fan Width: 38[mm]

Life Expectancy L10: 40 degree C 70,000 Hours (L10)

Series: 08038RA

DC Fans