

General Specifications

Motor Protection: Auto Restart
 Insulation Resistance: 10M Ohm or over with a DC500V Megger
 Dielectric Withstand Voltage: AC 700V 1st
 Allowable Ambient Temperature Range:
 -10 degree C ~ +70 degree C (Operating)
 -40 degree C ~ +70 degree C (Storage)
 (non-condensing environment)

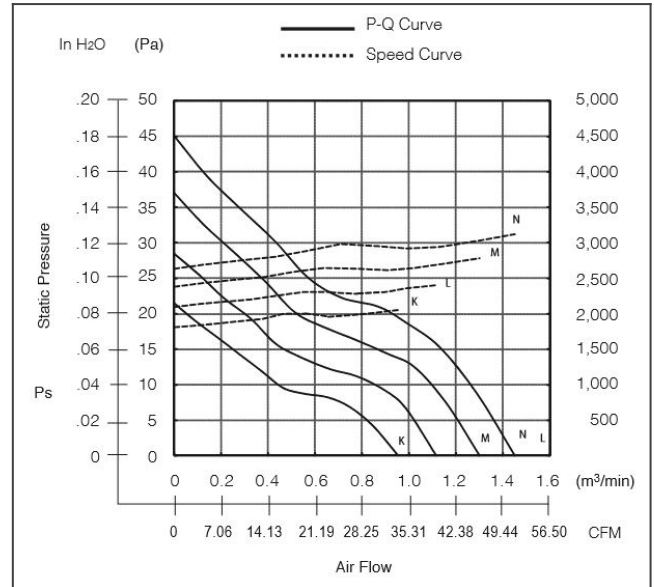
Material

Casing: Plastic (Black) UL94V-0
 Impeller: Plastic (Black) UL94V-0
 Lead Wire: UL10368, AWG26, +Red, -Black, (tach) White

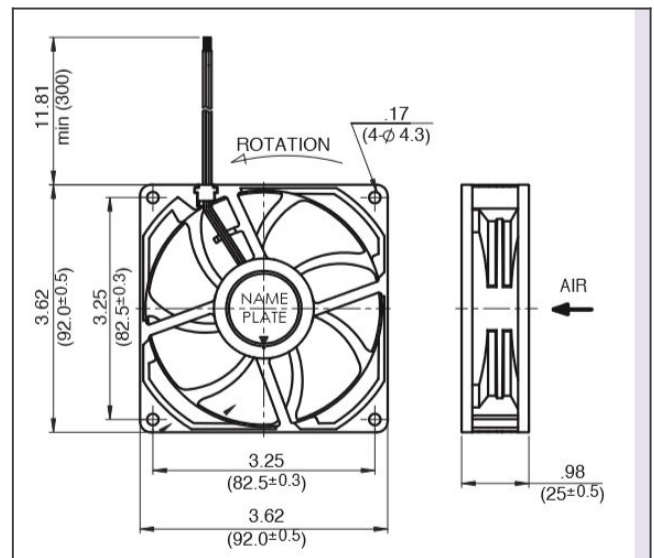
09225SS product picture



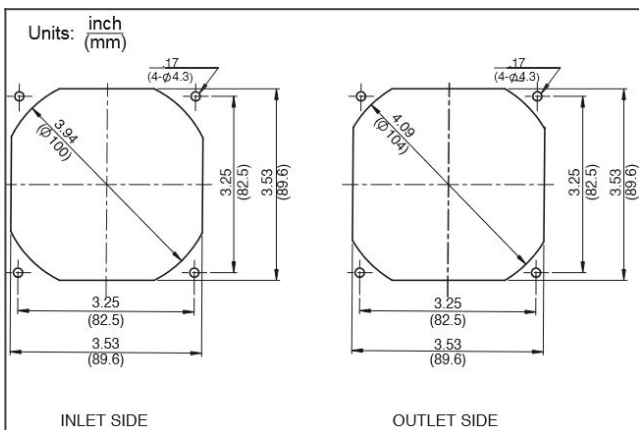
09225SS characteristic curve



09225SS product drawing



09225SS panel cut out



DC Fans

Detailed Specifications

Expected Life:	40 degree C 50,000 Hours (L10)
DC Fan:	Sleeve Bearing Fan
Nominal Voltage:	24
Operating Voltage Lower:	12
Operating Voltage Upper:	27.6
Current:	0.15
Input Power:	3.6
Speed:	3900
Max. Air Flow:	1.84
Max. Air Flow:	65
Max. Static Pressure:	73
Max. Static Pressure:	0.29
Noise:	40
Mass:	102
Fan Size:	92
Fan Width:	25

DC Fans