

## General Specifications

Motor Protection: Auto Restart/Polarity Protection  
 Insulation Resistance: 10M Ohm or over with a DC500V Megger  
 Dielectric Withstand Voltage: AC 700V 1st  
 Allowable Ambient Temperature Range:  
 -10 degree C ~ +70 degree C (Operating)  
 -40 degree C ~ +70 degree C (Storage)  
 (non-condensing environment)

## Material

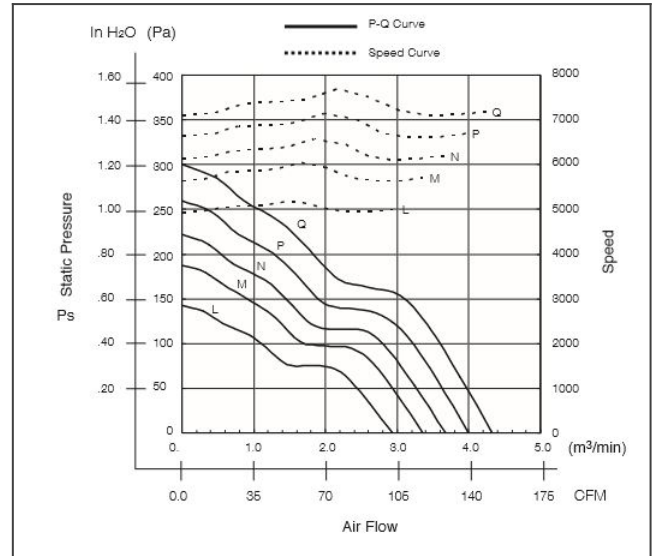
Casing: Plastic (Black) UL94V-0  
 Impeller: Plastic (Black) UL94V-0  
 Lead Wire: UL3385, AWG26, +Red, -Black

**order part 09238RA-12L-EA-00 Ball Bearing Fan DC Fans**

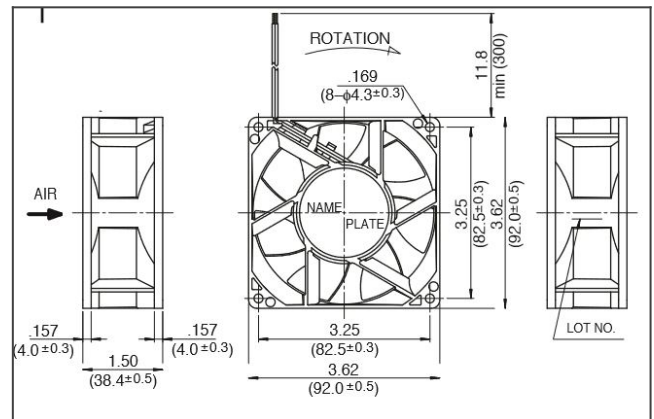


DC Fans

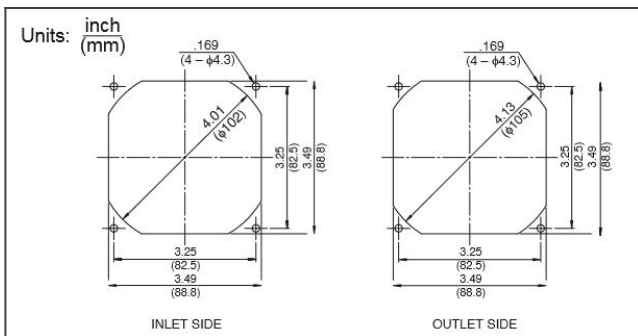
## 09238RA characteristic curve



## 09238RA product drawing



## 09238RA panel cut out



## Detailed Specifications

DC Fans

|                                 |   |
|---------------------------------|---|
| <b>Expected Life:</b>           | 25 degree C 100,000 Hours (L10)                     |
| <b>DC Fan:</b>                  | Ball Bearing Fan                                    |
| <b>Nominal Voltage:</b>         | 12[V]   |
| <b>Operating Voltage Lower:</b> | 7[V]  |
| <b>Operating Voltage Upper:</b> | 13.8[V]   |
| <b>Industry:</b>                | Food Processing / Power Tools / Industrial Machines |
| <b>Current:</b>                 | 0.8[A]  |
| <b>Input Power:</b>             | 9.6[W]  |
| <b>Speed:</b>                   | 5000[ $\text{min}^{-1}$ ]                           |
| <b>Max. Air Flow:</b>           | 2.94[ $\text{m}^3/\text{min}$ ]                     |
| <b>Max. Air Flow:</b>           | 103.8[CFM]  |
| <b>Max. Static Pressure:</b>    | 142[Pa]   |
| <b>Max. Static Pressure:</b>    | 0.57[In H <sub>2</sub> O]                           |
| <b>Noise:</b>                   | 52.5[dB]  |
| <b>Mass:</b>                    | 230[g]  |
| <b>Fan Size:</b>                | 92[mm]  |
| <b>Fan Width:</b>               | 38[mm]  |
| <b>Life Expectancy L10:</b>     | 25 degree C 100,000 Hours (L10)                     |
| <b>Series:</b>                  | 09238RA   |