

General Specifications

Motor Structure: Shaded Pole Induction Motor
 Motor Protection: Impedance Protection
 Insulation Resistance: 100M Ohm or over with DC500V Megger
 Dielectric Withstand Voltage: AC 1800V 3s
 Allowable Ambient Temperature Range:
 -10 degree C ~ +70 degree C (Operating)
 -40 degree C ~ +70degree C (Storage)
 (non-condensing environment)

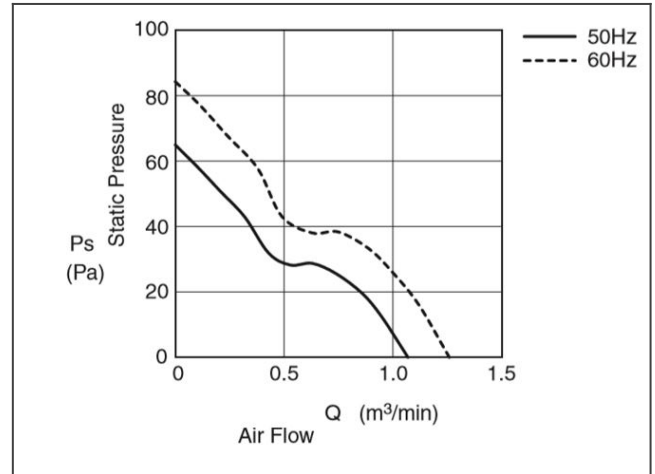
Material

Casing: Aluminum Black Painting
 Impeller: Plastic (Black) UL94V-0
 Lead Wire or Terminal: UL3266, AWG22 / Faston #110 or equivalent

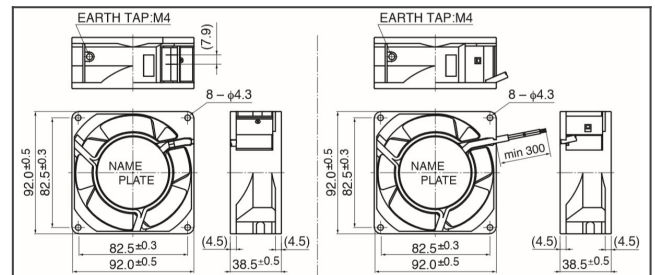
09238SB product picture



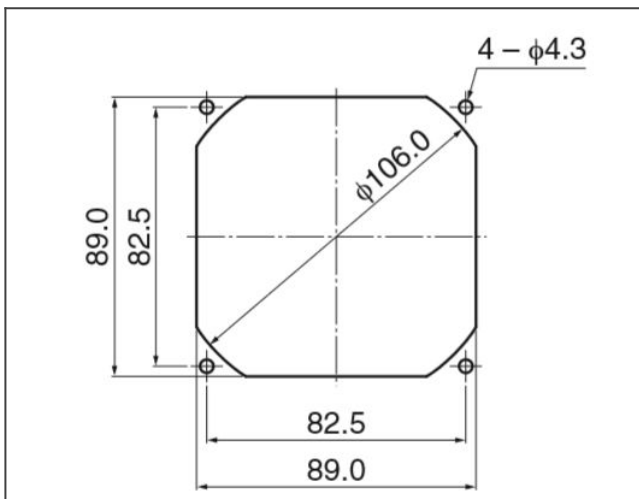
09238SB characteristics curve



09238SB product drawing



09238SB panel cut out



Detailed Specifications

| | |
|----------------------------------|---|
| Expected Life: | *Failure rate 10% 25deg.C 100,000 hours |
| Nominal Voltage: | 240 |
| Frequency: | 60 |
| Starting Voltage: | 175 |
| AC Fans: | Ball Bearing Fan |
| Current: | 0.05 |
| Input Power (+10% - 20%): | 8 |
| Speed: | 3150 |
| Max. Air Flow: | 1.25 |
| Max. Air Flow: | 44.1 |
| Max. Static Pressure: | 80 |
| Max. Static Pressure: | 0.32 |
| Noise: | 33.5 |
| Fan Size: | 92 |
| Fan Width: | 38 |
| Mass: | 490 |

AC Fans