

General Specifications

Motor Protection: Auto Restart
 Insulation Resistance: 10M Ohm or over with a DC500V Megger
 Dielectric Withstand Voltage: AC 700V 1st
 Allowable Ambient Temperature Range:
 -10 degree C ~ +60 degree C (Operating)
 -40 degree C ~ +70 degree C (Storage)
 (non-condensing environment)

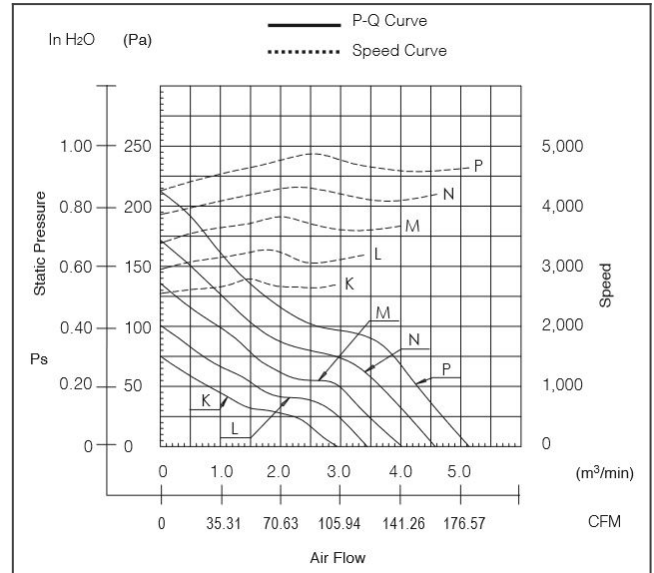
Material

Casing: Plastic (Black) UL94V-0
 Impeller: Plastic (Black) UL94V-0
 Lead Wire: UL1007, AWG24, +Red, -Black

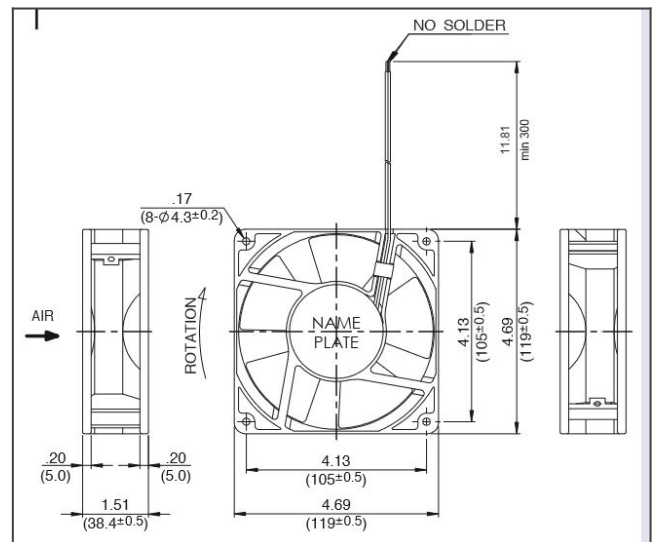
11938MA product picture



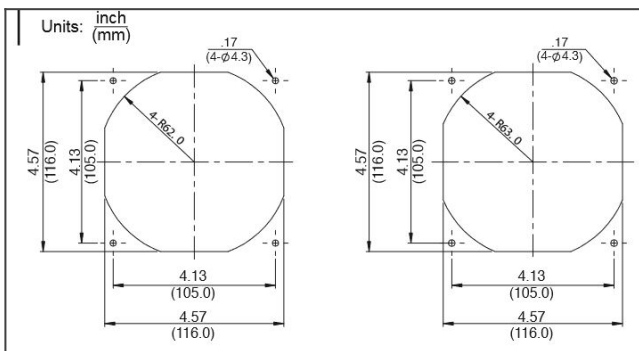
11938MA characteristic curve



11938MA product drawing



11938MA panel cut out



DC Fans

Detailed Specifications

Expected Life: 25 degree C 100,000 Hours (L10)

DC Fan: IP69K Ball Bearing Fan

Nominal Voltage: 12

Operating Voltage Lower: 8

Operating Voltage Upper: 12.9

Industry: Food Processing / Power Tools / Industrial Machines / Consumer Technology

Current: 1.92

Input Power: 23

Speed: 4700

Max. Air Flow: 5.13

Max. Air Flow: 181.16

Max. Static Pressure: 213

Max. Static Pressure: 0.86

Noise: 59.5

Mass: 400

Fan Size: 119

Fan Width: 38

DC Fans