

## General Specifications

Motor Protection: Auto Restart  
 Insulation Resistance: 10M Ohm or over with a DC500V Megger  
 Dielectric Withstand Voltage: AC 700V 1st  
 Allowable Ambient Temperature Range:  
 -10 degree C ~ +60 degree C (Operating)  
 -40 degree C ~ +70 degree C (Storage)

## Material

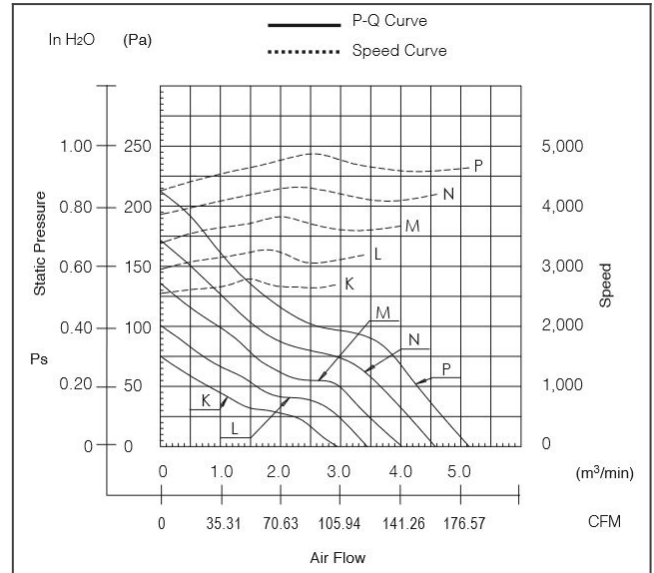
Casing: Plastic (Black) UL94V-0  
 Impeller: Plastic (Black) UL94V-0  
 Lead Wire: UL1007, AWG24, +Red, -Black

**order part 11938MA-24L-GA-00 IP69K Ball Bearing Fan DC Fans**

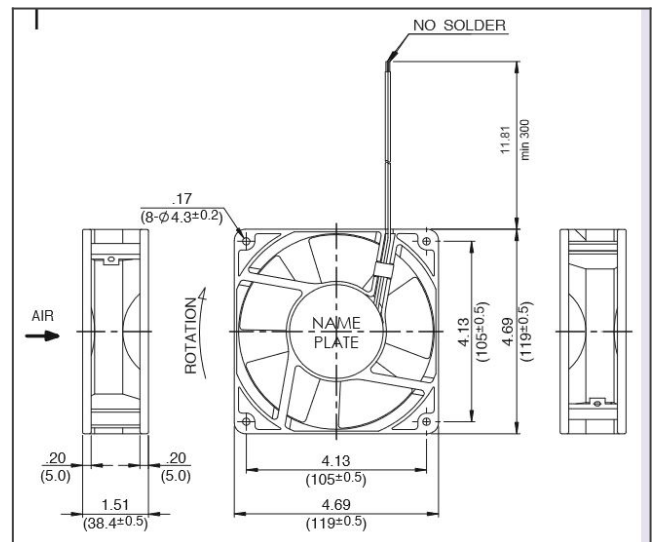


DC Fans

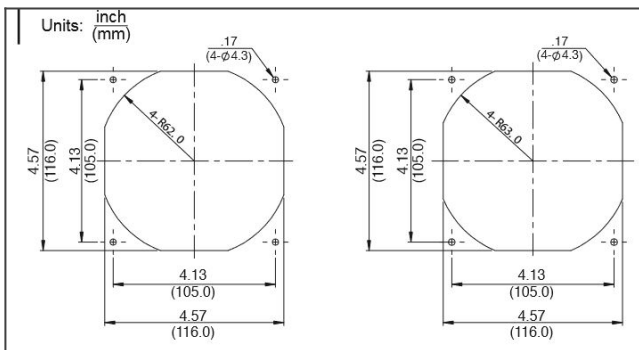
## 11938MA characteristic curve



## 11938MA product drawing



## 11938MA panel cut out



## Detailed Specifications

**Expected Life:** 25 degree C 100,000 Hours (L10)

**DC Fan:** IP69K Ball Bearing Fan

**Nominal Voltage:** 24[V]

**Operating Voltage Lower:** 15[V]

**Operating Voltage Upper:** 27.6[V]

**Industry:** Food Processing / Power Tools / Industrial Machines / Consumer Technology

**Current:** 0.35[A]

**Input Power:** 8.4[W]

**Speed:** 3200[ $\text{min}^{-1}$ ]

**Max. Air Flow:** 3.46[m<sup>3</sup>/min]

**Max. Air Flow:** 122.19[CFM]

**Max. Static Pressure:** 102[Pa]

**Max. Static Pressure:** 0.41[In H<sub>2</sub>O]

**Noise:** 49.5[dB]

**Mass:** 400[g]

**Fan Size:** 119[mm]

**Fan Width:** 38[mm]

**Life Expectancy L10:** 25 degree C 100,000 Hours (L10)

**Series:** 11938MA

DC Fans