

General Specifications

Motor Protection: Auto Restart
 Insulation Resistance: 10M Ohm or over with a DC500V Megger
 Dielectric Withstand Voltage: AC 700V 1st
 Allowable Ambient Temperature Range:
 -10 degree C ~ +60 degree C (Operating)
 -40 degree C ~ +70 degree C (Storage)

Material

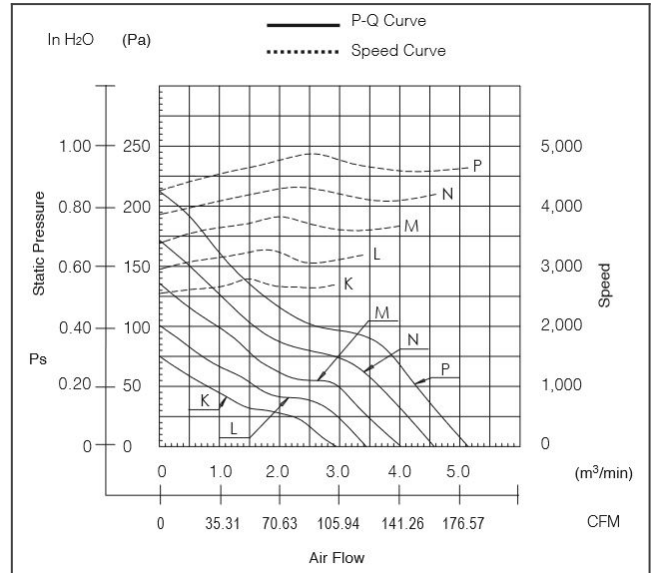
Casing: Plastic (Black) UL94V-0
 Impeller: Plastic (Black) UL94V-0
 Lead Wire: UL1007, AWG24, +Red, -Black

order part 11938MA-24P-GA-00 IP69K Ball Bearing Fan DC Fans

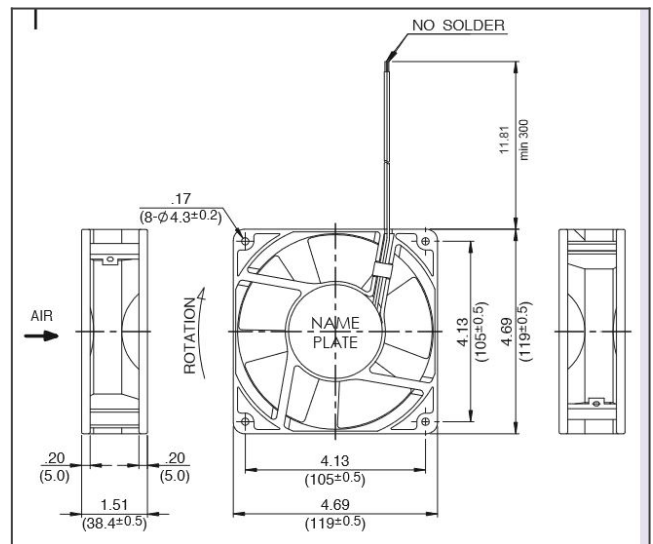


DC Fans

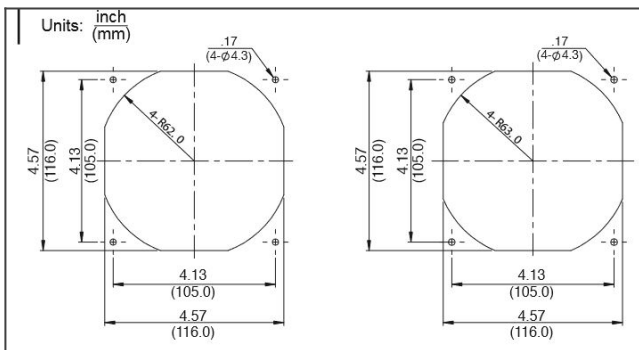
11938MA characteristic curve



11938MA product drawing



11938MA panel cut out



Detailed Specifications

Expected Life: 25 degree C 100,000 Hours (L10)

DC Fan: IP69K Ball Bearing Fan

Nominal Voltage: 24[V]

Operating Voltage Lower: 15[V]

Operating Voltage Upper: 27.6[V]

Industry: Food Processing / Power Tools / Industrial Machines / Consumer Technology

Current: 0.93[A]

Input Power: 22.4[W]

Speed: 4700[min^{-1}]

Max. Air Flow: 5.13[m³/min]

Max. Air Flow: 181.16[CFM]

Max. Static Pressure: 213[Pa]

Max. Static Pressure: 0.86[In H₂O]

Noise: 59.5[dB]

Mass: 400[g]

Fan Size: 119[mm]

Fan Width: 38[mm]

Life Expectancy L10: 25 degree C 100,000 Hours (L10)

Series: 11938MA

DC Fans