

## General Specifications

Motor Structure: Shaded Pole Induction Motor  
 Motor Protection: Thermal Protection  
 Insulation Resistance: 10M Ohm or over with DC500V Megger  
 Dielectric Withstand Voltage: AC 700V 1s  
 Allowable Ambient Temperature Range:  
 -10 degree C ~ +60 degree C (Operating)  
 -40 degree C ~ +70 degree C (Storage)  
 (non-condensing environment)

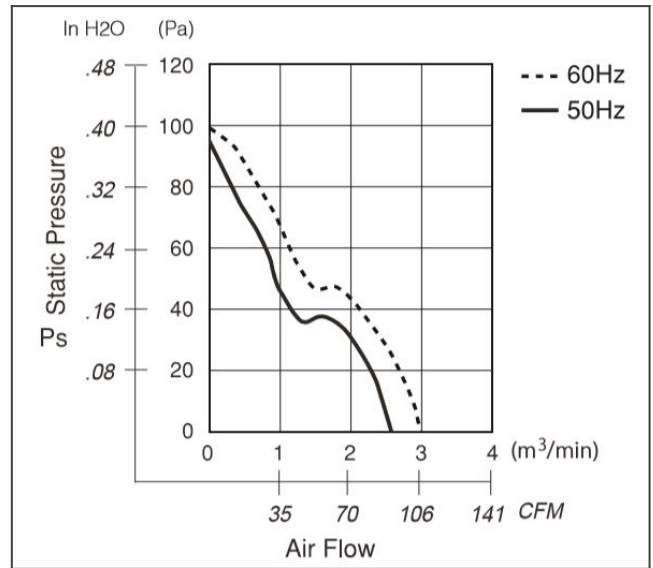
## Material

Casing: Aluminum Black Painting  
 Impeller: Plastic (Black) UL94V-0  
 Lead Wire or Terminal: AWG22, UL3266 Faston #110 or equivalent

**11938SB-B3N-NP plastic std product picture**

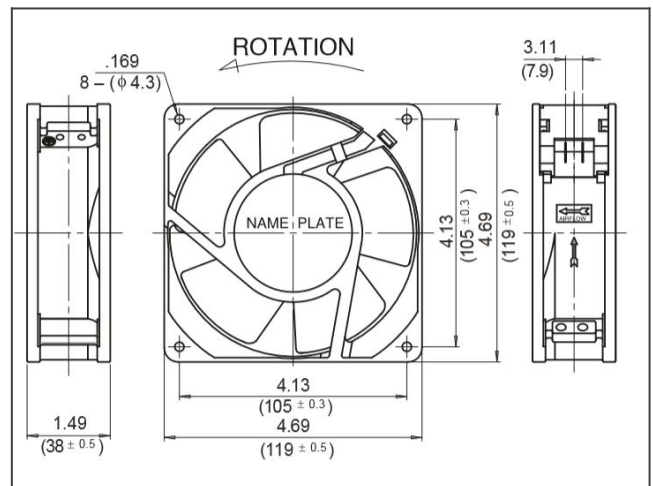


**11938SB-B3N-NP plastic std characteristic curve**

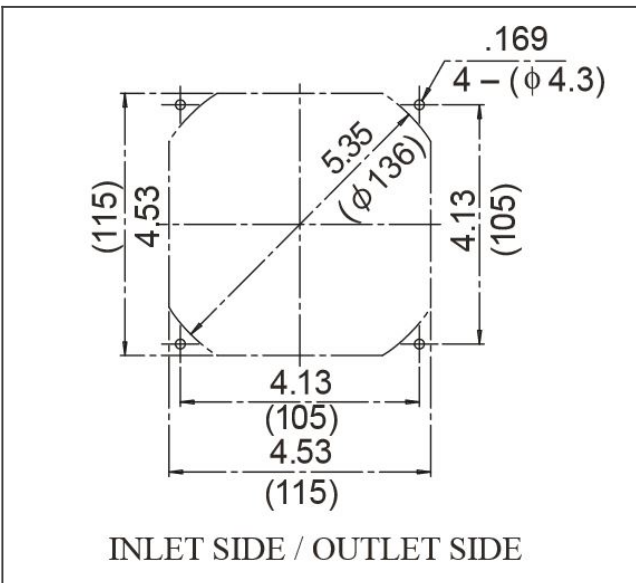


AC Fans

**11938SB-B3N-NP plastic std product drawing**



**11938SB-B3N-NP plastic std panel cut out**



## Detailed Specifications

<b>Expected Life:</b>	*Failure rate 10% 25deg.C 100,000 hours
<b>Nominal Voltage:</b>	230
<b>Frequency:</b>	50
<b>Starting Voltage:</b>	175
<b>Industry:</b>	Food Processing / Industrial Machines / Medical Equipment / Consumer Technology
<b>AC Fans:</b>	Ball Bearing Fan Plastic Blades Standard
<b>Current:</b>	0.16
<b>Input Power (+10% - 20%):</b>	18
<b>Speed:</b>	2600
<b>Max. Air Flow:</b>	2.6
<b>Max. Air Flow:</b>	92.9
<b>Max. Static Pressure:</b>	94
<b>Max. Static Pressure:</b>	0.38
<b>Noise:</b>	40
<b>Fan Size:</b>	119
<b>Fan Width:</b>	38
<b>Mass:</b>	570

AC Fans