

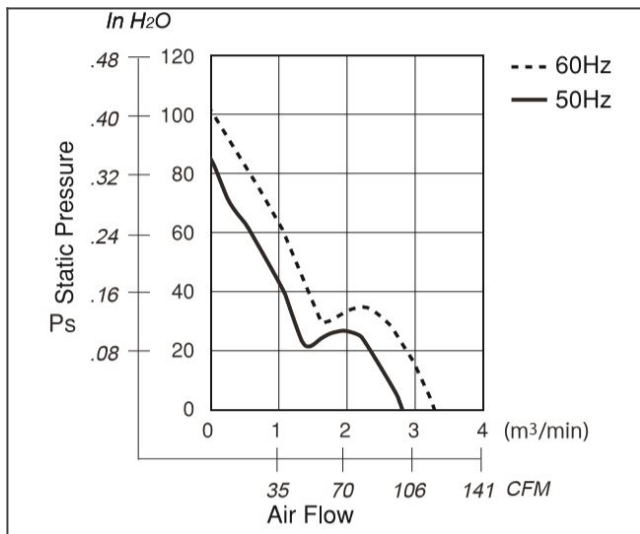
General Specifications

Motor Structure: Shaded Pole Induction Motor
 Motor Protection: Impedance Protection
 Insulation Resistance: 10M Ohm or over with DC500V Megger
 Dielectric Withstand Voltage: AC 700V 1s
 Allowable Ambient Temperature Range:
 -10 degree C ~ +70 degree C (Operating)
 -40 degree C ~ +70 degree C (Storage)
 (non-condensing environment)

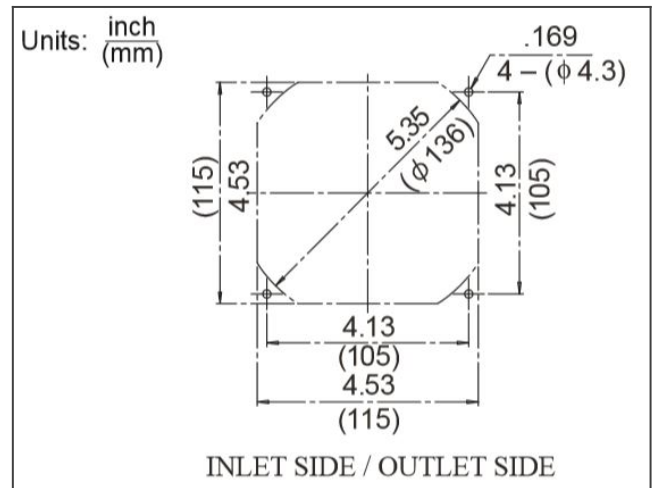
Material

Casing: Aluminum Black Painting
 Impeller: Steel
 Lead Wire or Terminal: AWG22, UL3266 Faston #110 or equivalent

11938TB-B0N-QA metal pot characteristics curve

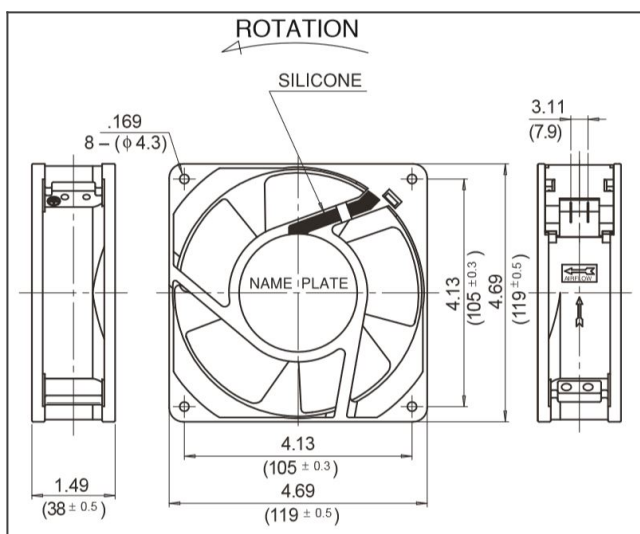


11938TB-B0N-QA metal pot panel cut out



AC Fans

11938TB-B0N-QA metal pot product drawing



Detailed Specifications

Expected Life:	*Failure rate 10% 25deg.C 90,000 hours
Nominal Voltage:	200
Frequency:	50
Starting Voltage:	130
Industry:	Industrial Machines
AC Fans:	Ball Bearing Fan Metal Blade Potting
Current:	0.22
Input Power (+10% - 20%):	21
Speed:	2600
Max. Air Flow:	2.8
Max. Air Flow:	100
Max. Static Pressure:	88
Max. Static Pressure:	0.35
Noise:	46
Fan Size:	119
Fan Width:	38
Mass:	650

AC Fans