

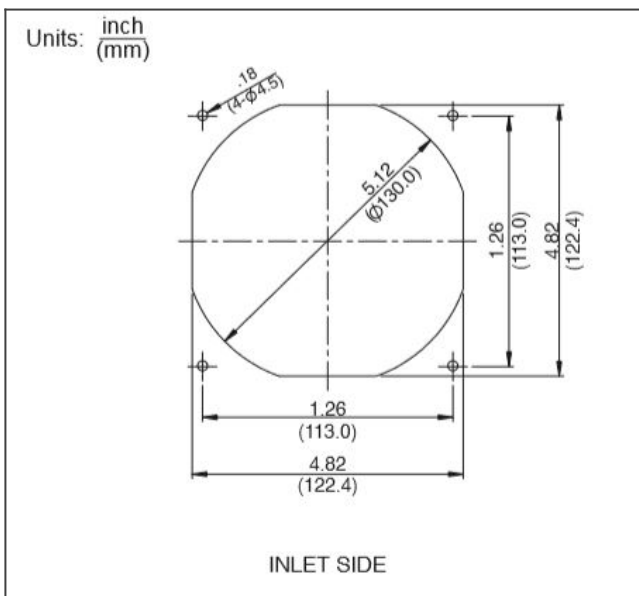
General Specifications

Motor Protection: Auto Restart
 Insulation Resistance: 10M Ohm or over with a DC500V Megger
 Dielectric Withstand Voltage: AC 700V 1st
 Allowable Ambient Temperature Range:
 -10 degree C ~ +70 degree C (Operating)
 -40 degree C ~ +70 degree C (Storage)
 (non-condensing environment)

12537JE product picture



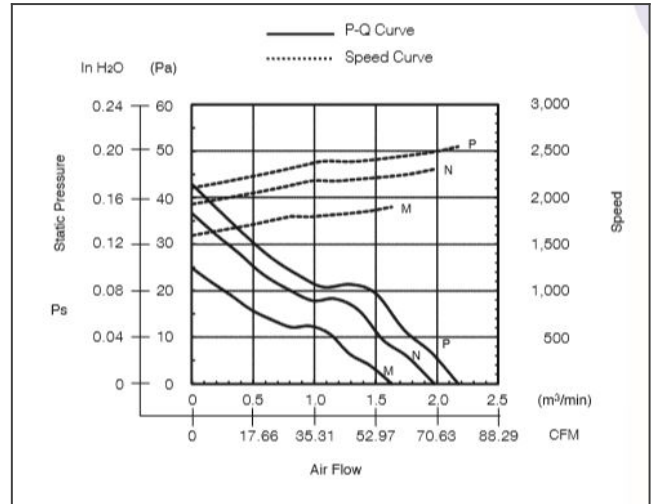
12537JE panel cut out



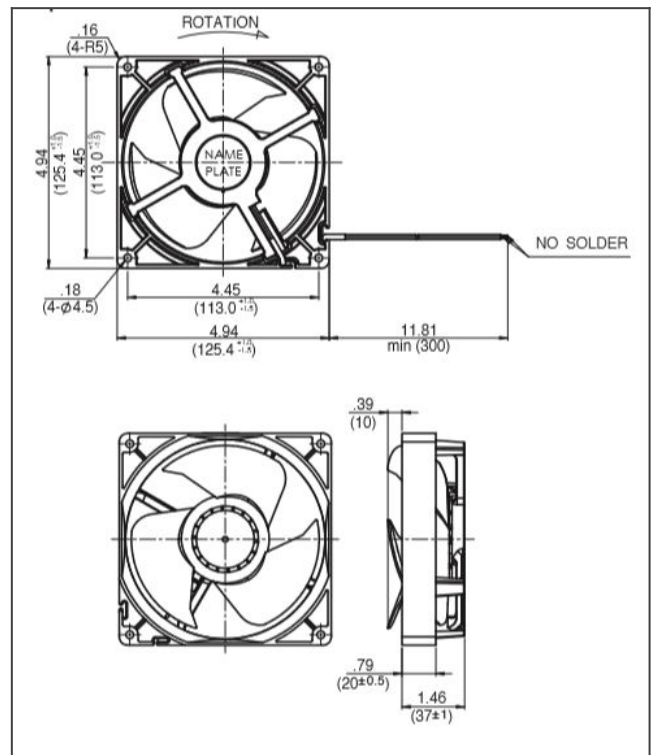
Material

Casing: Plastic (Black) PBT UL94V-0
 Impeller: Plastic (Black) PBT UL94V-0
 Lead Wire: UL1007, AWG26, +Red, -Black

12537JE characteristic curve



12537JE product drawing



Detailed Specifications

Expected Life:	-20 degree C 70,000 Hours (L10)
DC Fan:	Ball Bearing Fans / Refrigeration / Evaporator
Nominal Voltage:	12
Operating Voltage Lower:	7
Operating Voltage Upper:	13.2
Industry:	Consumer Technology
Current:	0.07
Input Power:	0.84
Speed:	1900
Max. Air Flow:	1.62
Max. Air Flow:	57.6
Max. Static Pressure:	24.8
Max. Static Pressure:	0.1
Noise:	26
Mass:	220
Fan Size:	125
Fan Width:	37

DC Fans