

General Specifications

Motor Protection: Auto Restart
 Insulation Resistance: 10M Ohm or over with a DC500V Megger
 Dielectric Withstand Voltage: AC 700V 1st
 Allowable Ambient Temperature Range:
 -10 degree C ~ +70 degree C (Operating)
 -40 degree C ~ +70 degree C (Storage)
 (non-condensing environment)

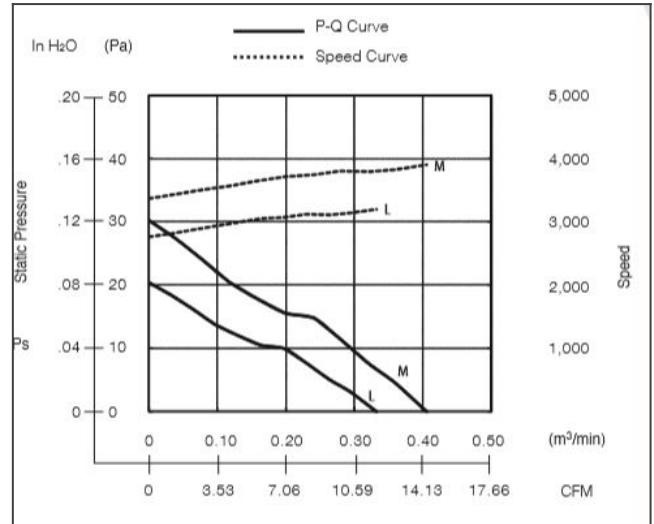
Material

Casing: Plastic (Black) PBT UL94V-0
 Impeller: Plastic (Black) PBT UL94V-0
 Lead Wire: UL1007, AWG26, +Red, -Black

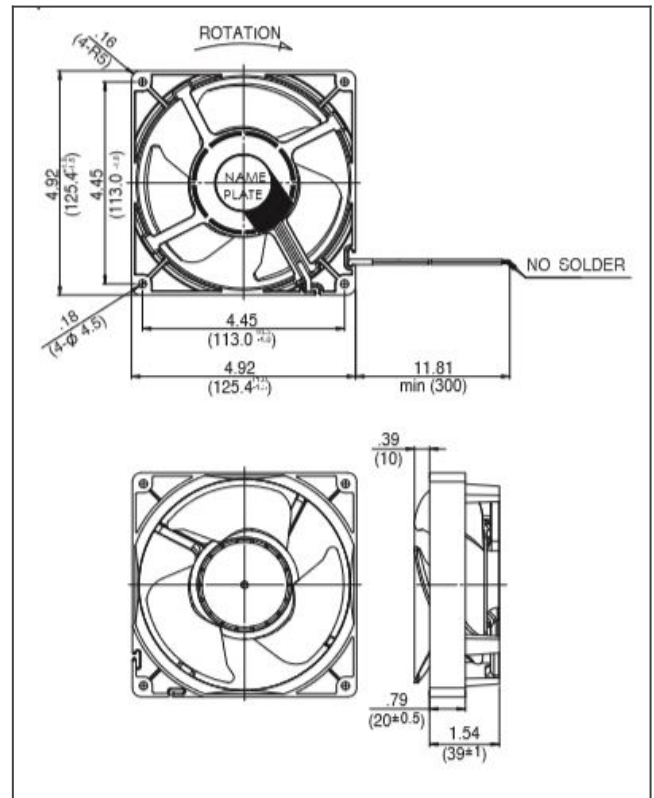
12539JA product picture



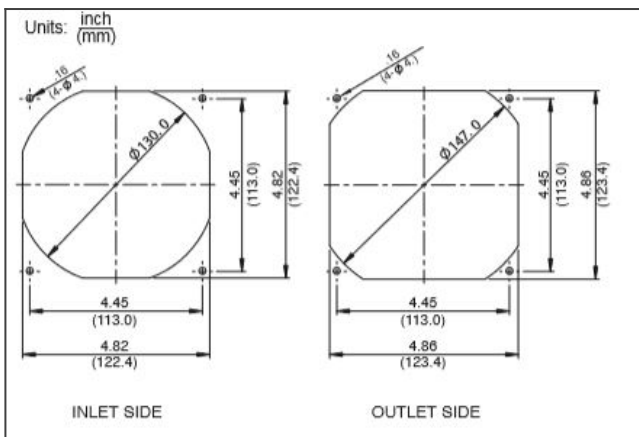
12539JA characteristic curve



12539JA product drawing



12539JA panel cut out



DC Fans

Detailed Specifications

Expected Life:	-25 degree C 100,000 Hours (L10)
DC Fan:	Ball Bearing Fan / Refrigeration / Condenser
Nominal Voltage:	12
Operating Voltage Lower:	7
Operating Voltage Upper:	13.8
Industry:	Consumer Technology
Current:	0.06
Input Power:	0.72
Speed:	1600
Max. Air Flow:	1.33
Max. Air Flow:	47
Max. Static Pressure:	20.4
Max. Static Pressure:	0.08
Noise:	22
Mass:	240
Fan Size:	125
Fan Width:	39

DC Fans