

General Specifications

Motor Structure: Capacitor-Run Induction Motor
 Motor Protection: Thermal Protection
 Insulation Resistance: 100M Ohm or over with DC500V Megger
 Dielectric Withstand Voltage: AC 1800V 3s
 Allowable Ambient Temperature Range:
 -10 degree C ~ +60 degree C (Operating)
 -40 degree C ~ +70 degree C (Storage)
 (non-condensing environment)

Material

Casing: Aluminum Black Painting
 Impeller: Steel
 Lead Wire or Terminal: STP-1 2X0.824mm2 AWG18, Faston #110 or equivalent

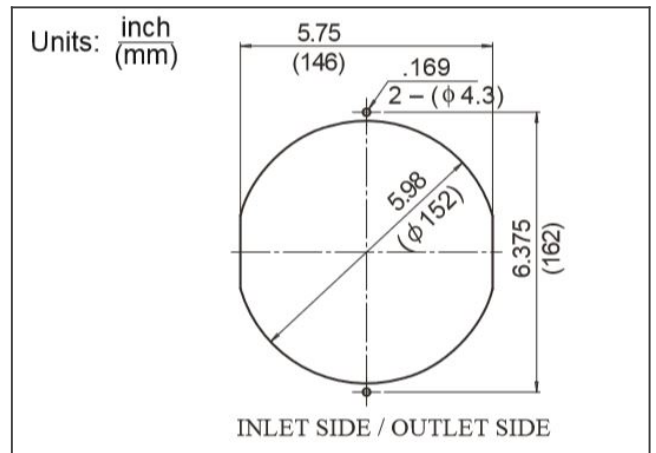
15038PB product picture



15038PB-A0L-GP metal pot product picture

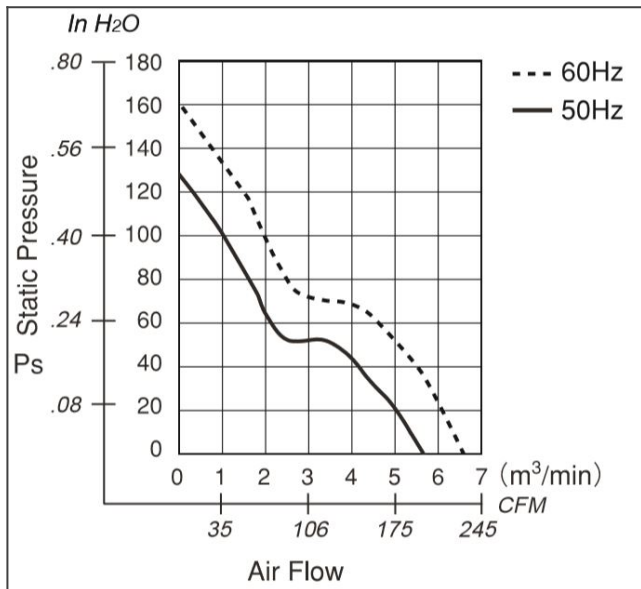


15038PB-A0L-GP metal pot panel cut out

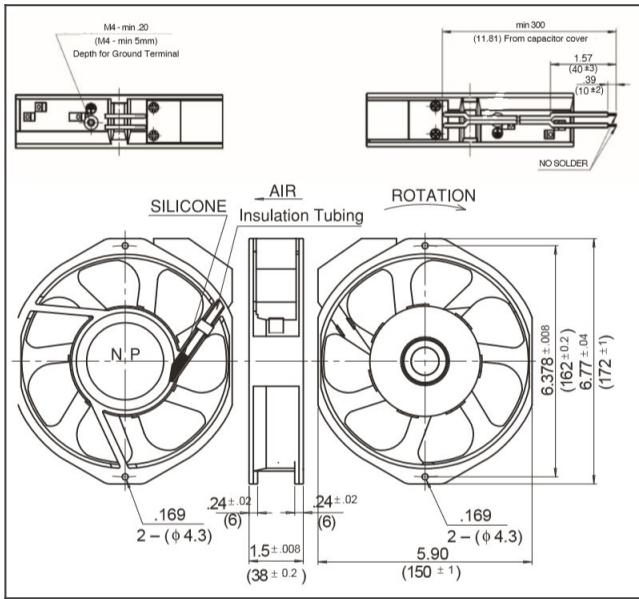


AC Fans

15038PB-A0L-GP metal pot characteristics curve



15038PB-A0L-GP metal pot product drawing



AC Fans

Detailed Specifications

Expected Life:	*Failure rate 10% 25deg.C 100,000 hours
Nominal Voltage:	100
Frequency:	50
Starting Voltage:	65
Industry:	Industrial Machines
AC Fans:	Ball Bearing Fan Metal Blades Potting
Current:	0.47
Input Power (+10% - 20%):	37
Speed:	2700
Max. Air Flow:	5
Max. Air Flow:	178.6
Max. Static Pressure:	156.9
Max. Static Pressure:	0.63
Noise:	52
Fan Size:	150
Fan Width:	38
Mass:	800

AC Fans