

## General Specifications

Motor Protection: Auto Restart  
 Insulation Resistance: 10M Ohm or over with a DC500V Megger  
 Dielectric Withstand Voltage: AC 700V 1st  
 Allowable Ambient Temperature Range:  
 J Class: -10 degree C ~ +70 degree C (Operating)  
 K Class: -10 degree C ~ +60 degree C (Operating)  
 All Class: -40 degree C ~ +70 degree C (Storage)  
 (non-condensing environment)

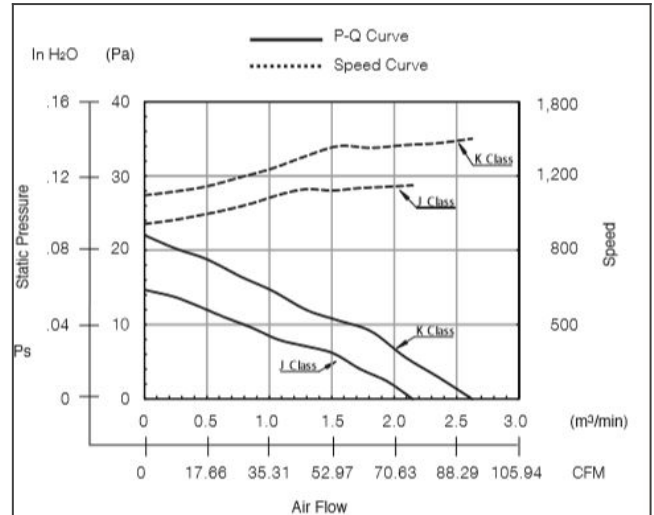
## Material

Casing: Plastic (Black) UL94V-0  
 Impeller: Plastic (Black) UL94V-0  
 Lead Wire: UL1007, AWG24, +Red, -Black

**15047JA product picture**

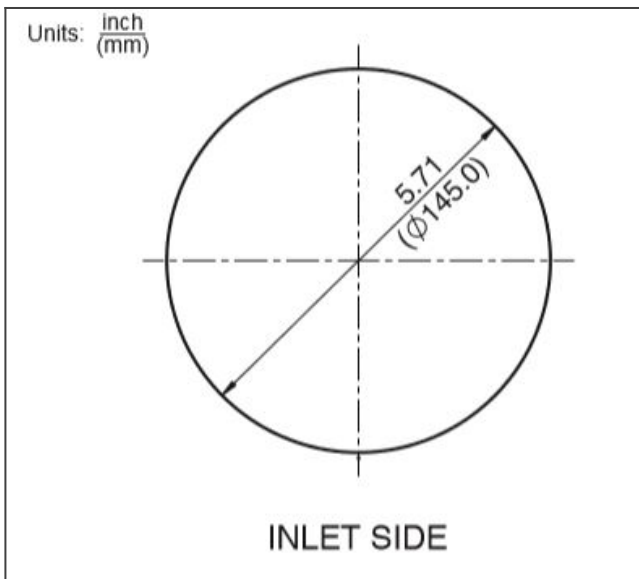


**15047JA characteristic curve**

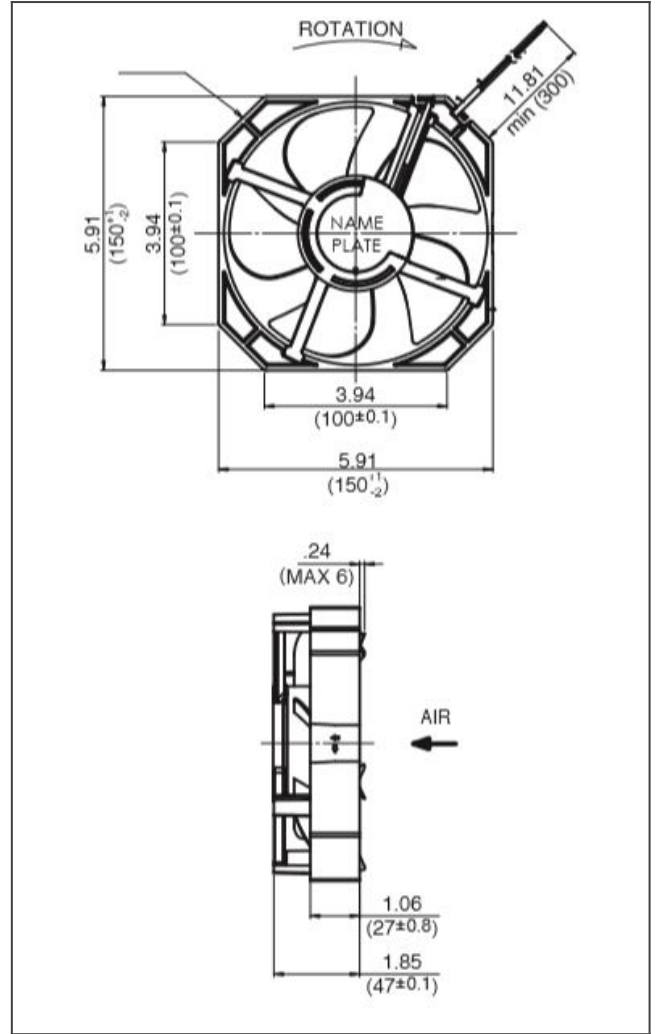


**15047JA product drawing**

**15047JA panel cut out**



DC Fans



## Detailed Specifications

|                                 |  |
|---------------------------------|--|
| <b>Expected Life:</b>           | -25 degree C 100,000 Hours (L10)             |
| <b>DC Fan:</b>                  | Ball Bearing Fan / Refrigeration / Condenser |
| <b>Nominal Voltage:</b>         | 12   |
| <b>Operating Voltage Lower:</b> | 8  |
| <b>Operating Voltage Upper:</b> | 13.8   |
| <b>Industry:</b>                | Consumer Technology                          |
| <b>Current:</b>                 | 0.12   |
| <b>Input Power:</b>             | 1.44   |
| <b>Speed:</b>                   | 1150   |
| <b>Max. Air Flow:</b>           | 2.15   |
| <b>Max. Air Flow:</b>           | 75.9   |
| <b>Max. Static Pressure:</b>    | 14.6   |
| <b>Max. Static Pressure:</b>    | 0.06   |
| <b>Noise:</b>                   | 25.5   |
| <b>Mass:</b>                    | 315  |
| <b>Fan Size:</b>                | 150  |
| <b>Fan Width:</b>               | 47   |

DC Fans