

General Specifications

Motor Protection: Auto Restart/Polarity Protection
 Insulation Resistance: 10M Ohm or over with a DC500V Megger
 Dielectric Withstand Voltage: AC 700V 1st
 Allowable Ambient Temperature Range:
 -10 degree C ~ +70 degree C (Operating)
 -40 degree C ~ +70 degree C (Storage)
 (non-condensing environment)

Material

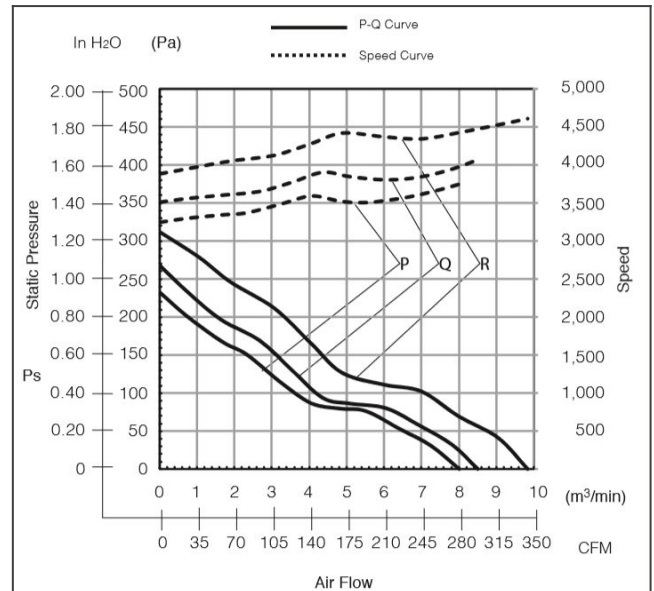
Casing: Plastic (Black) UL94V-0
 Impeller: Plastic (Black) UL94V-0
 Lead Wire: UL1007, AWG22, +Red, -Black

order part 15050VA-24P-EA-00 Ball Bearing Fan DC Fans

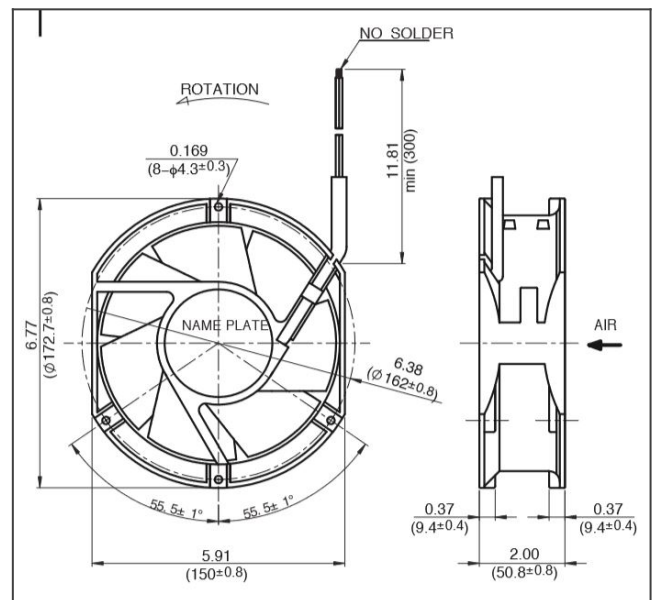


DC Fans

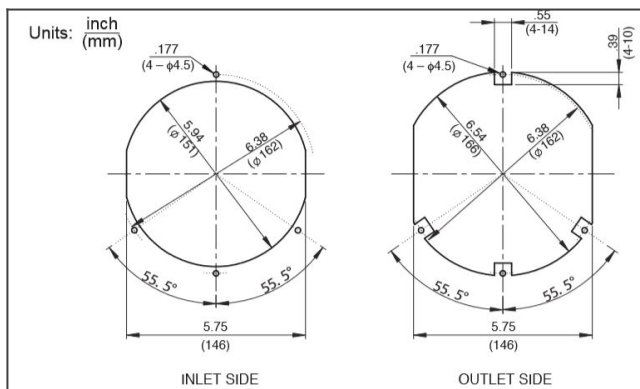
15050VA characteristic curve



15050VA product drawing



15050VA panel cut out



Detailed Specifications

DC Fans

Expected Life:	25 degree C 100,000 Hours (L10)
DC Fan:	Ball Bearing Fan
Nominal Voltage:	24[V]
Operating Voltage Lower:	18[V]
Operating Voltage Upper:	26.4[V]
Current:	1.1[A]
Input Power:	26.4[W]
Speed:	3750[min^{-1}]
Max. Air Flow:	8[m ³ /min]
Max. Air Flow:	282[CFM]
Max. Static Pressure:	232[Pa]
Max. Static Pressure:	0.93[In H ₂ O]
Noise:	62[dB]
Mass:	870[g]
Fan Size:	150[mm]
Fan Width:	172X25[mm]
Life Expectancy L10:	25 degree C 100,000 Hours (L10)
Series:	15050VA