

General Specifications

Motor Type: DC Brushless Motor Motor Protection: Auto Restart/Polarity Protection
 Insulation Resistance: 10M Ohm or over with a DC500V Megger
 Dielectric Withstand Voltage: AC 700V 1st or 500V 1 min
 Allowable Ambient Temperature Range:
 -10 degree C ~ +70 degree C (Operating)
 -40 degree C ~ +70 degree C (Storage)
 (non-condensing environment)

Material

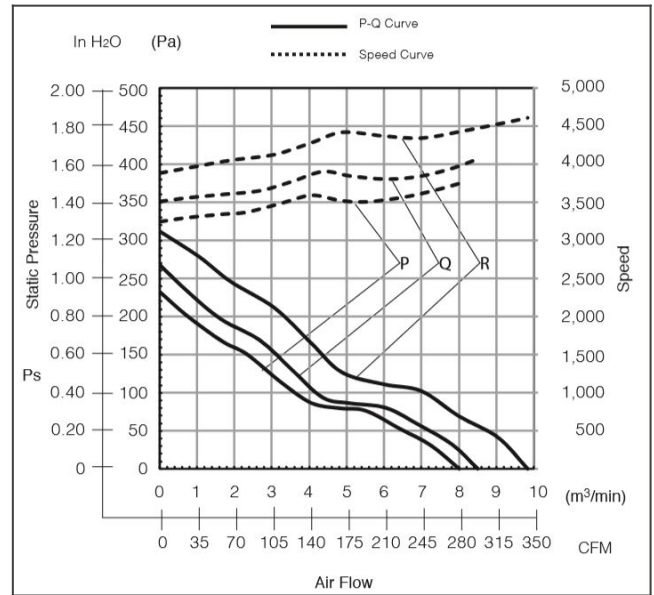
Casing: Aluminum (Black Paint)
 Impeller: Plastic
 Bearing: Ball Bearing
 Lead Wire: UL10368 AWG22, AWG24 AWG22: (+): Red (-): Black AWG24: PWM: Brown Tach: White Insulation Tube: Black

order part 15050VA-48N-EU-01 PWM and Tach Ball Bearing Fan DC Fans

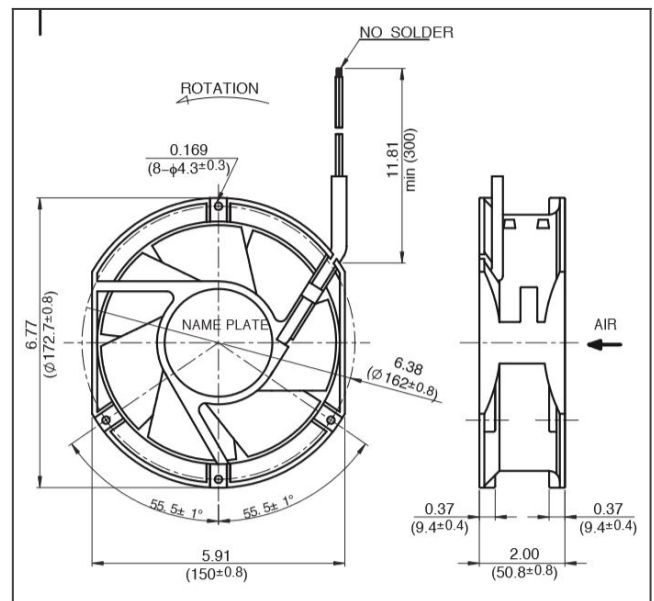


DC Fans

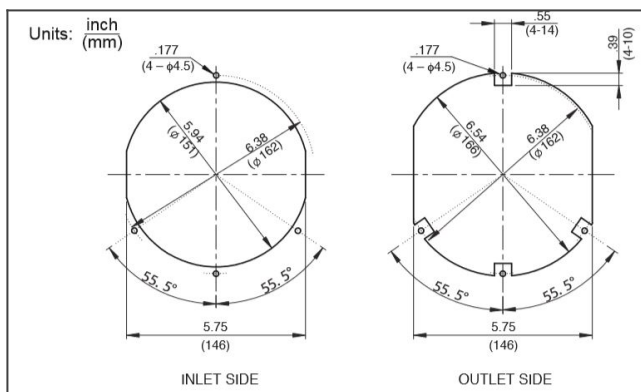
15050VA characteristic curve



15050VA product drawing



15050VA panel cut out



Detailed Specifications

Life Expectancy L10:	25 degrees C 100,000 Hours
DC Fan:	PWM and Tach Ball Bearing Fan
Nominal Voltage:	48[V]
Operating Voltage Lower:	38[V]
Operating Voltage Upper:	52.8[V]
Industry:	Telecom
Current:	0.45[A] Avg
Current:	0.51[A] Max
Input Power:	21.6[W] Avg
Input Power:	24.48[W] Max
Speed:	3500[min^{-1}]
Max. Air Flow:	7.4[m^3/min]
Max. Air Flow:	261.3[CFM]
Max. Static Pressure:	183[Pa]
Max. Static Pressure:	0.74[In H ₂ O]
Noise:	60[dB]
Mass:	750[g]
Fan Size:	150[mm]
Fan Width:	50[mm]
Series:	15050VA

DC Fans