

General Specifications

Motor Protection: Auto Restart/Polarity Protection
 Insulation Resistance: 10M Ohm or over with a DC500V Megger
 Dielectric Withstand Voltage: AC 700V 1st
 Allowable Ambient Temperature Range:
 -10 degree C ~ +70 degree C (Operating)
 -40 degree C ~ +70 degree C (Storage)
 (non-condensing environment)

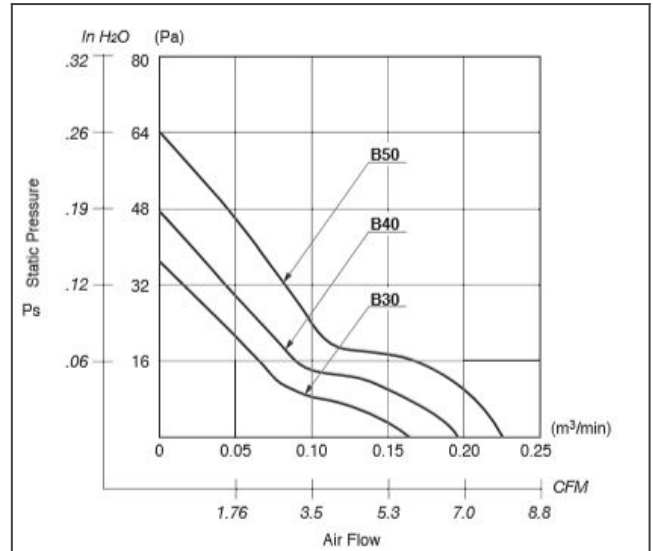
Material

Casing: Plastic (Black) UL94V-0
 Impeller: Plastic (Black) UL94V-0
 Lead Wire: UL1061, AWG26, +Red, -Black

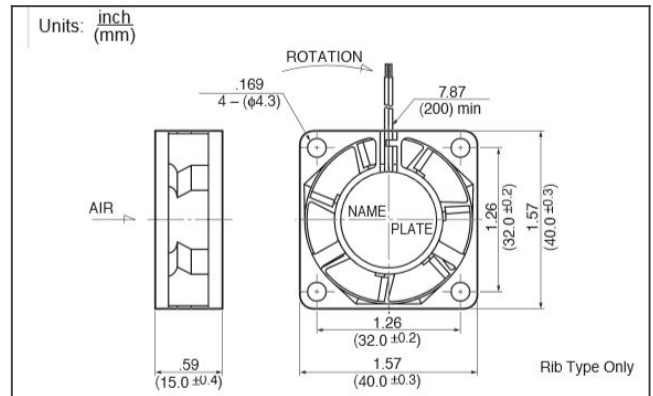
1606KL product picture



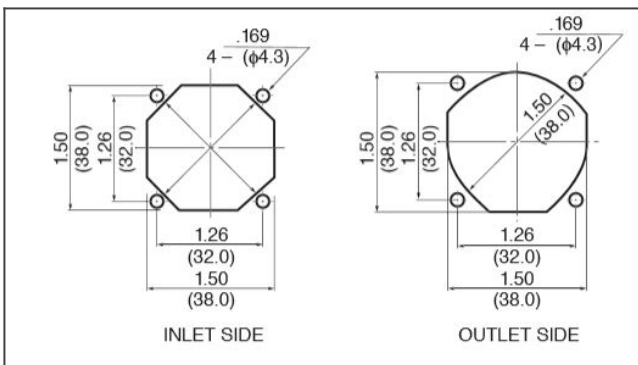
1606KL characteristic curve



1606KL product drawing



1606KL panel cut out



DC Fans

Detailed Specifications

Expected Life:	25 degree C 60,000 Hours (L10)
DC Fan:	Ball Bearing Fan
Nominal Voltage:	12
Operating Voltage Lower:	10.2
Operating Voltage Upper:	13.8
Current:	0.075
Input Power:	0.9
Speed:	7000
Max. Air Flow:	0.2
Max. Air Flow:	7
Max. Static Pressure:	47.1
Max. Static Pressure:	0.188
Noise:	31
Mass:	20
Fan Size:	40
Fan Width:	15

DC Fans