

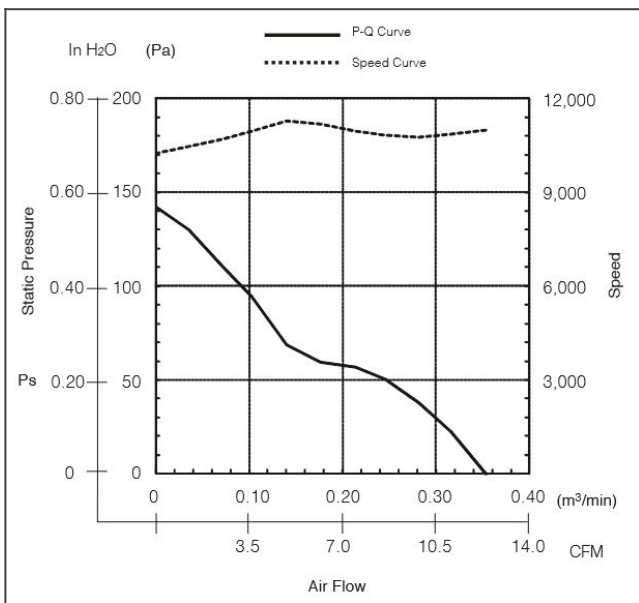
## General Specifications

Motor Protection: Auto Restart/Polarity Protection  
 Insulation Resistance: 10M Ohm or over with a DC500V Megger  
 Dielectric Withstand Voltage: AC 700V 1st  
 Allowable Ambient Temperature Range:  
 -10 degree C ~ +70 degree C (Operating)  
 -40 degree C ~ +70 degree C (Storage)  
 (non-condensing environment)

**1608VL product picture**



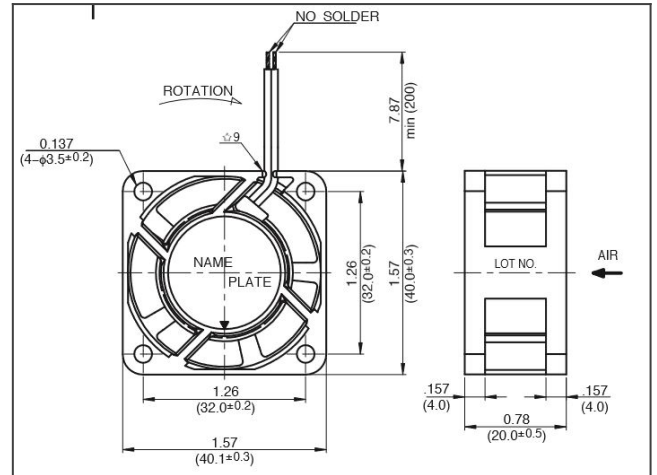
**1608VL characteristic curve**



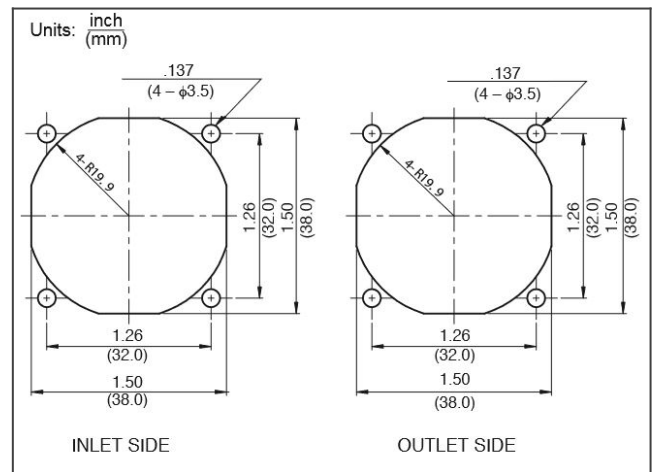
## Material

Casing: Plastic (Black) UL94V-0  
 Impeller: Plastic (Black) UL94V-0  
 Lead Wire: UL3385, AWG26, +Red, -Black

**1608VL product drawing**



**1608VL panel cut out**



## Detailed Specifications

<b>Expected Life:</b>	25 degree C 100,000 Hours (L10)
<b>DC Fan:</b>	Ball Bearing Fan
<b>Nominal Voltage:</b>	24
<b>Operating Voltage Lower:</b>	14
<b>Operating Voltage Upper:</b>	26.4
<b>Current:</b>	0.1
<b>Input Power:</b>	2.4
<b>Speed:</b>	9500
<b>Max. Air Flow:</b>	0.32
<b>Max. Air Flow:</b>	11.3
<b>Max. Static Pressure:</b>	99.3
<b>Max. Static Pressure:</b>	0.4
<b>Noise:</b>	34.6
<b>Mass:</b>	40
<b>Fan Size:</b>	40
<b>Fan Width:</b>	20

DC Fans