

## General Specifications

Motor Protection: Auto Restart/Polarity Protection  
 Insulation Resistance: 10M Ohm or over with a DC500V Megger  
 Dielectric Withstand Voltage: AC 700V 1st  
 Allowable Ambient Temperature Range:  
 -10 degree C ~ +70 degree C (Operating)  
 -40 degree C ~ +70 degree C (Storage)

## Material

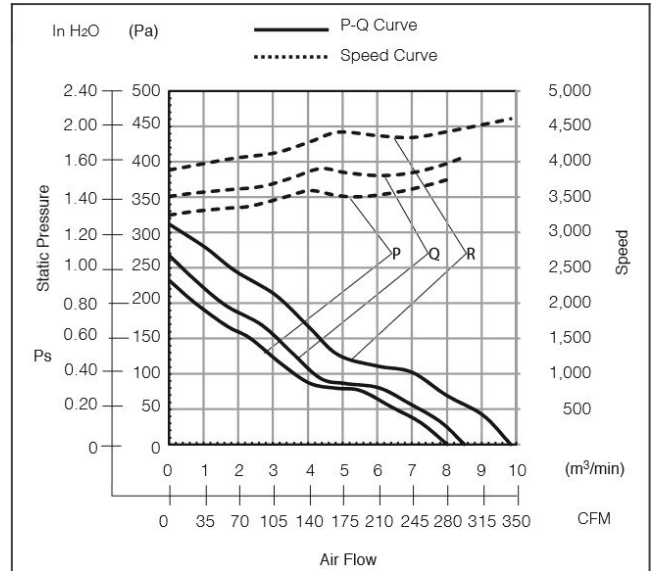
Casing: Plastic (Black) UL94V-0  
 Impeller: Plastic (Black) UL94V-0  
 Lead Wire: UL1007, AWG22, +Red, -Black

**order part 17250VA-24R-GA-00 IP69K Ball Bearing Fan DC Fans**

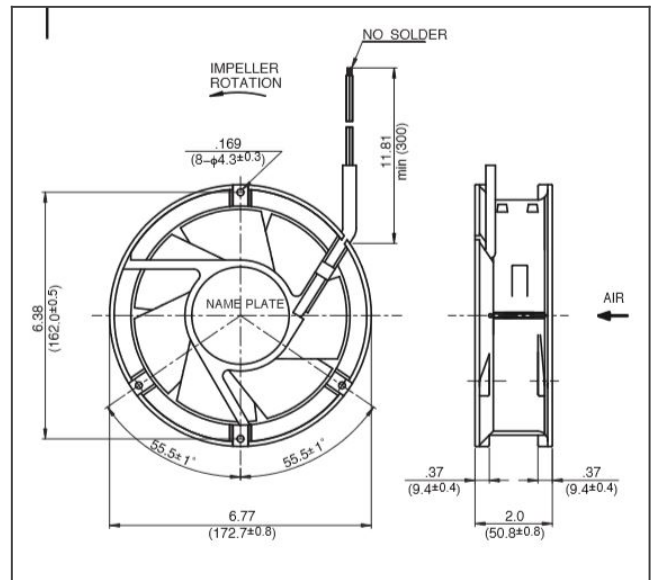


DC Fans

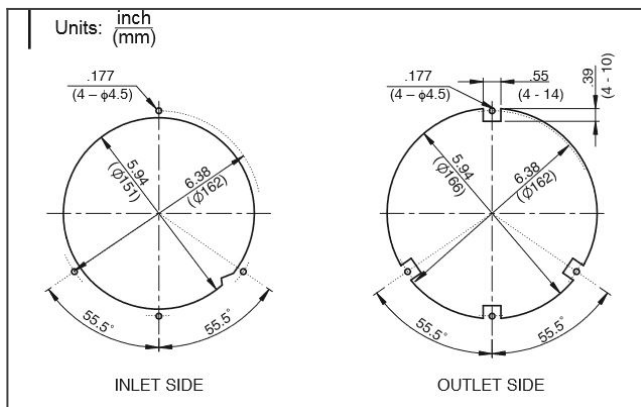
## 17250VA characteristic curve



## 17250VA product drawing



## 17250VA panel cut out



## Detailed Specifications

<b>Expected Life:</b>	25 degree C 100,000 Hours (L10)
<b>DC Fan:</b>	IP69K Ball Bearing Fan
<b>Nominal Voltage:</b>	24[V]
<b>Operating Voltage Lower:</b>	18[V]
<b>Operating Voltage Upper:</b>	26.4[V]
<b>Current:</b>	1.8[A]
<b>Input Power:</b>	43.2[W]
<b>Speed:</b>	4600[ $\text{min}^{-1}$ ]
<b>Max. Air Flow:</b>	9.8[m <sup>3</sup> /min]
<b>Max. Air Flow:</b>	346[CFM]
<b>Max. Static Pressure:</b>	312[Pa]
<b>Max. Static Pressure:</b>	1.25[In H <sub>2</sub> O]
<b>Noise:</b>	62[dB]
<b>Mass:</b>	950[g]
<b>Fan Size:</b>	172[mm]
<b>Fan Width:</b>	50[mm]
<b>Life Expectancy L10:</b>	25 degree C 100,000 Hours (L10)
<b>Series:</b>	17250VA

DC Fans