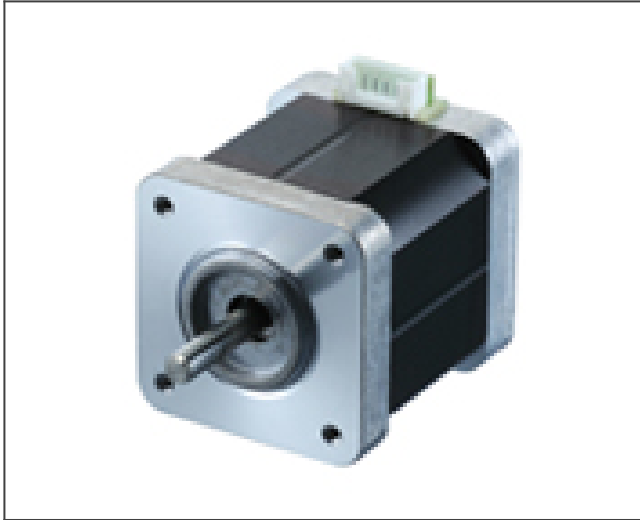


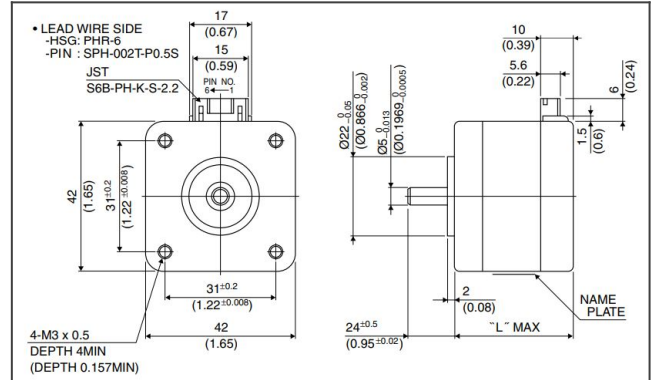
**order part 17PY-Z449U Hybrid Step Motors
 Hybrid Stepping Motors**

Material

Hybrid Step Motors



17py product drawing



Hybrid Stepping Motors

Detailed Specifications

Step Angle:	0.9[degrees]
Motor Size "L":	54[mm]
Motor Size "L":	2.13[inch]
Drive Sequence:	UNI-POLAR
Rated Current:	1[A]
Resistance:	4.9[Ohms]
Holding Torque:	450[mNm]
Inductance:	8.4[mH]
Rotor Inertia:	75[g/cm ²]
Detent Torque:	18.7[mNm]
Mass:	350[g]
Step Angle:	0.9[°]
Rotor Inertia:	75[g•cm ²]