

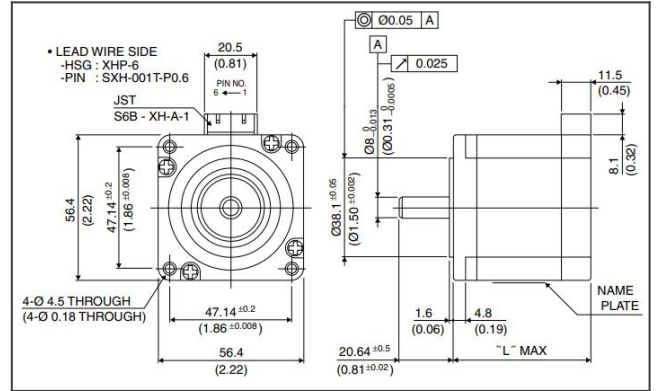
**order part 23KM-K044-00V Hybrid Step
 Motors Hybrid Stepping Motors**

Material

Hybrid Step Motors



23km product drawing



Hybrid Stepping Motors

Detailed Specifications

Step Angle:	1.8[°]
Drive Sequence:	UNI-POLAR
Rated Current:	3[A]
Resistance:	0.85[Ohms]
Holding Torque:	760[mNm]
Inductance:	1.8[mH]
Rotor Inertia:	200[g•cm ²]
Detent Torque:	34[mNm]
Mass:	680[g]