

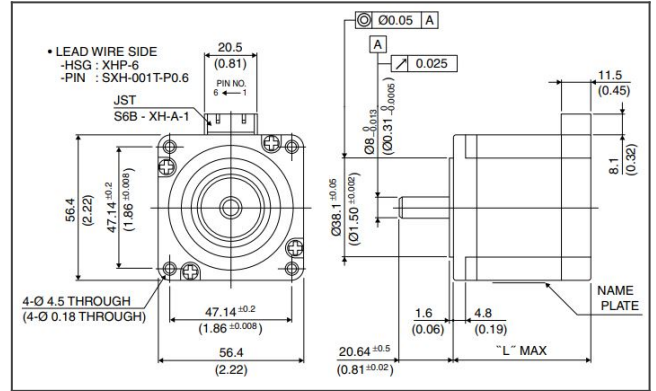
order part 23KM-K049-00V Hybrid Step Motors Hybrid Stepping Motors



Material

Hybrid Step Motors

23km product drawing



Hybrid Stepping Motors

Detailed Specifications

Step Angle:	1.8[°]
Motor Size "L":	56 ~ 54[mm]
Rated Current:	2[A]
Resistance:	1.7[Ohms]
Holding Torque:	900[mNm]
Mass:	680[g]