

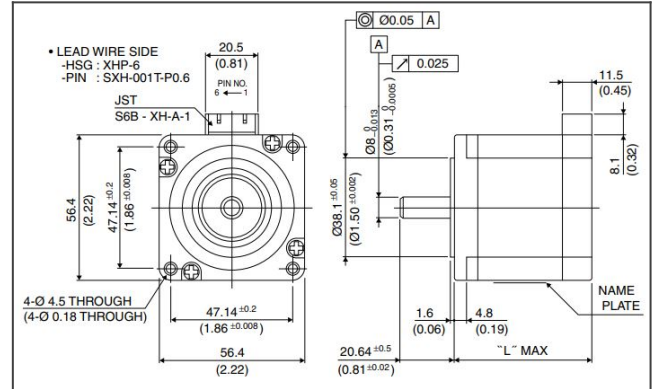
**order part 23KM-K144U Hybrid Step Motors
 Hybrid Stepping Motors**



Material

Hybrid Step Motors

23km product drawing



Hybrid Stepping Motors

Detailed Specifications

Step Angle:	1.8[degrees]
Drive Sequence:	UNI-POLAR
Rated Current:	3[A]
Resistance:	1[Ohms]
Holding Torque:	1050[mNm]
Inductance:	2.2[mH]
Rotor Inertia:	290[g/cm ²]
Detent Torque:	49[mNm]
Mass:	900[g]
Step Angle:	1.8[°]
Rotor Inertia:	290[g•cm ²]