

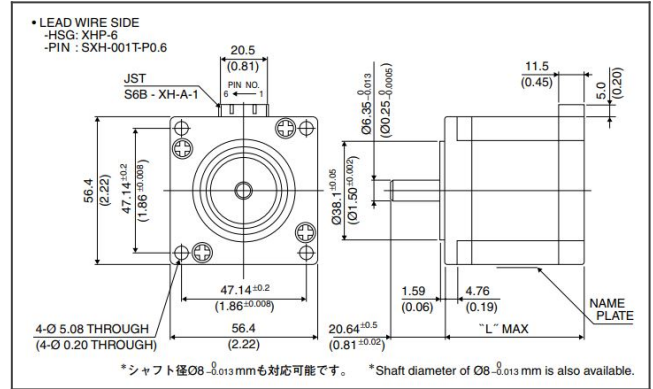
**order part 23KY-K748B Hybrid Step Motors  
 Hybrid Stepping Motors**



**Material**

Hybrid Step Motors

**23ky product drawing**



**Hybrid Stepping Motors**

## Detailed Specifications

<b>Step Angle:</b>	0.9[degrees]
<b>Drive Sequence:</b>	BI-POLAR
<b>Rated Current:</b>	1.4[A]
<b>Resistance:</b>	4.5[Ohms]
<b>Holding Torque:</b>	1580[mNm]
<b>Inductance:</b>	24[mH]
<b>Rotor Inertia:</b>	360[g/cm <sup>2</sup> ]
<b>Detent Torque:</b>	50[mNm]
<b>Mass:</b>	1050[g]
<b>Step Angle:</b>	0.9[°]
<b>Rotor Inertia:</b>	360[g•cm <sup>2</sup> ]