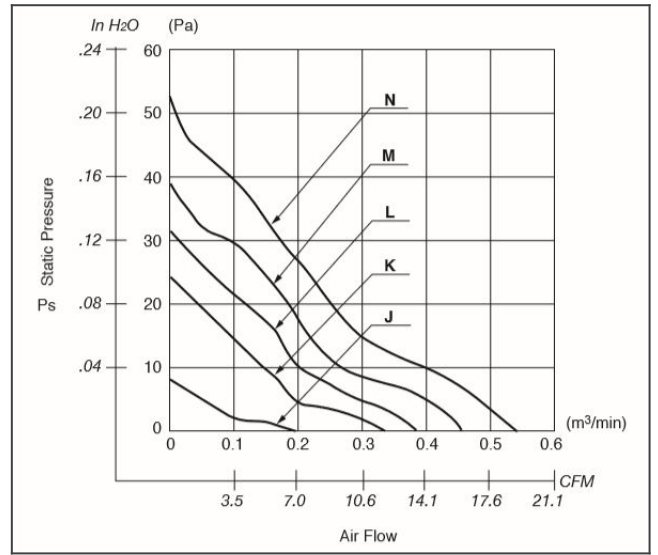


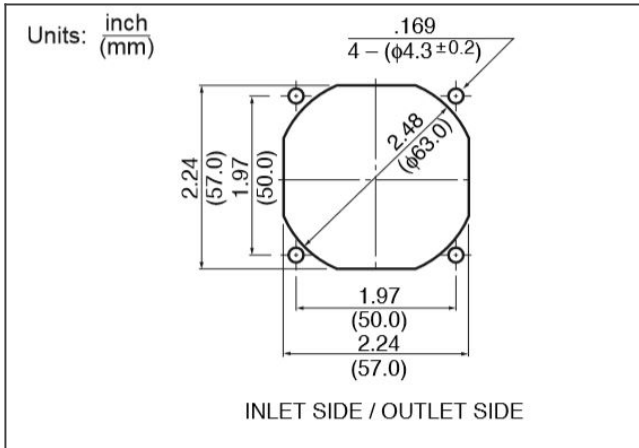
**order part 2406KL-04W-B49-L50 Ball Bearing Fan DC Axial Fans**



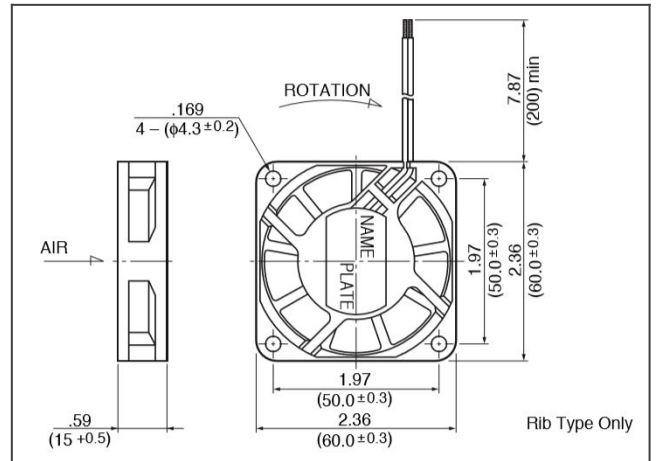
**2406KL characteristic chart**



**2406KL panel cut out**



**2406KL product drawing**



**DC Axial Fans**

## Detailed Specifications

<b>Fan Size:</b>	60[mm]
<b>Fan Width:</b>	15[mm]
<b>Max. Air Flow:</b>	15.9[CFM]
<b>Max. Air Flow:</b>	0.45[m <sup>3</sup> /min]
<b>Max. Static Pressure:</b>	0.16[In H <sub>2</sub> O]
<b>Fan Speed:</b>	4100[RPM]
<b>Noise:</b>	31[dB]
<b>Life Expectancy:</b>	25 degree C 70,000 Hours[L10]
<b>Bearing Type:</b>	Ball Bearing
<b>Speed Control:</b>	-
<b>Nominal Voltage:</b>	12[V]
<b>Operating Voltage Lower:</b>	6[V]
<b>Operating Voltage Upper:</b>	13.8[V]
<b>Current:</b>	0.13[A]
<b>Input Power:</b>	1.6[W]
<b>Mass:</b>	45[g]
<b>IP Rating:</b>	Standard