

General Specifications

Motor Protection: Auto Restart/Polarity Protection
 Insulation Resistance: 10M Ohm or over with a DC500V Megger
 Dielectric Withstand Voltage: AC 700V 1st
 Allowable Ambient Temperature Range:
 -10 degree C ~ +70 degree C (Operating)
 -40 degree C ~ +70 degree C (Storage)
 (non-condensing environment)

Material

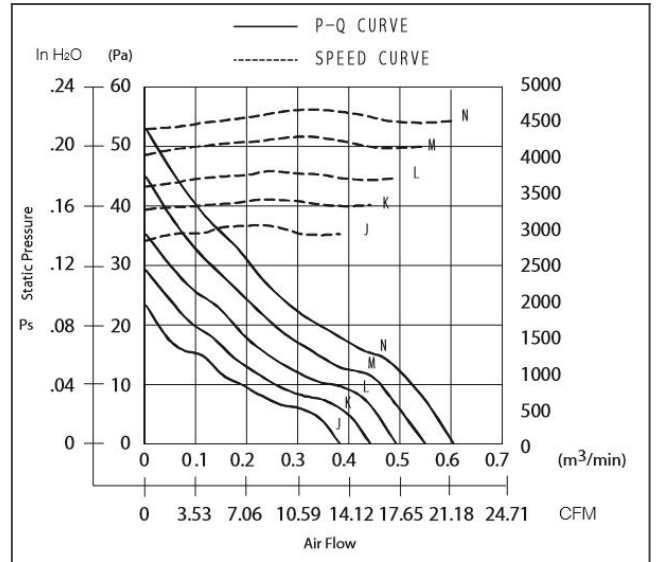
Casing: Plastic (Black) UL94V-0
 Impeller: Plastic (Black) UL94V-0
 Lead Wire: UL1007, AWG24, +Red, -Black

order part 2408NL-05W-B29-L00 Ball Bearing Fan DC Fans

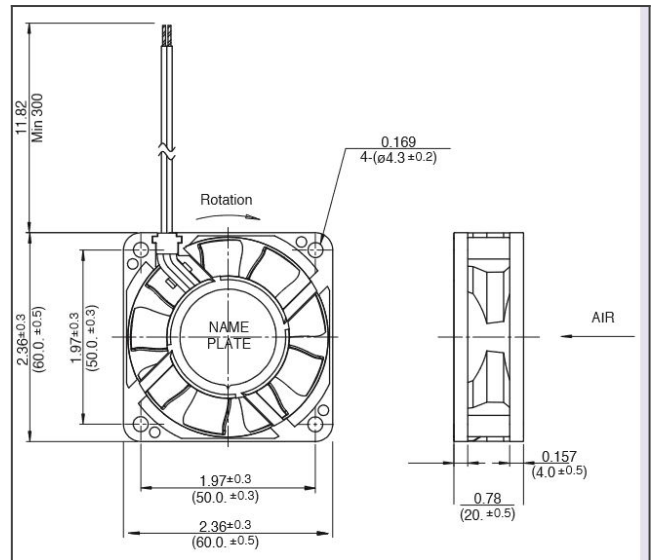


DC Fans

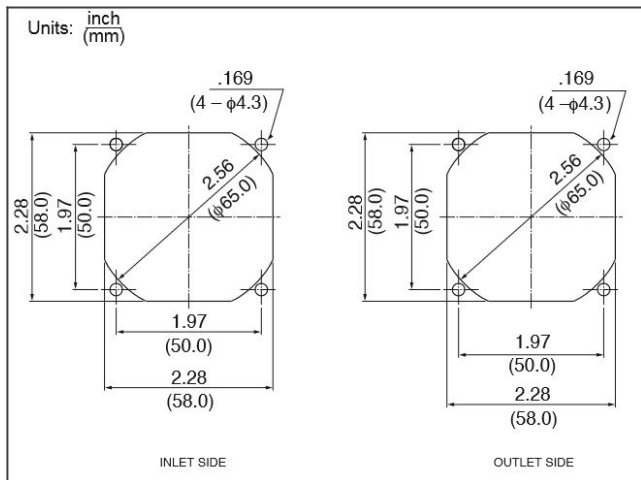
2408NL characteristic curve



2408NL product drawing



2408NL panel cut out



Detailed Specifications

Expected Life:	60 degree C 40,000 Hours (L10) AA/EA
DC Fan:	Ball Bearing Fan
Nominal Voltage:	24[V]
Operating Voltage Lower:	15[V]
Operating Voltage Upper:	27.6[V]
Current:	0.04[A]
Input Power:	1[W]
Speed:	3200[min^{-1}]
Max. Air Flow:	0.37[m^3/min]
Max. Air Flow:	13[CFM]
Max. Static Pressure:	23.5[Pa]
Max. Static Pressure:	0.09[In H ₂ O]
Noise:	25.5[dB]
Mass:	85[g]
Fan Size:	60[mm]
Fan Width:	20[mm]
Life Expectancy L10:	60 degree C 40,000 Hours (L10) AA/EA
Series:	2408NL

DC Fans