

**General Specifications**

Motor Protection: Auto Restart/Polarity Protection  
 Insulation Resistance: 10M Ohm or over with a DC500V Megger  
 Dielectric Withstand Voltage: AC 700V 1st  
 Allowable Ambient Temperature Range:  
 B80: -10 degree C ~ +60 degree C (Operating)  
 B70: -10 degree C ~ +70 degree C (Operating)  
 B50 ~ B60: -10 degree C ~ +50 degree C (Operating)  
 B10 ~ B20: -10 degree C ~ +70 degree C (Operating)  
 All Class: -40 degree C ~ +70 degree C (Storage)  
 (non-condensing environment)

**order part 2410ML-05W-B29-B00 Ball Bearing Fan DC Fans**

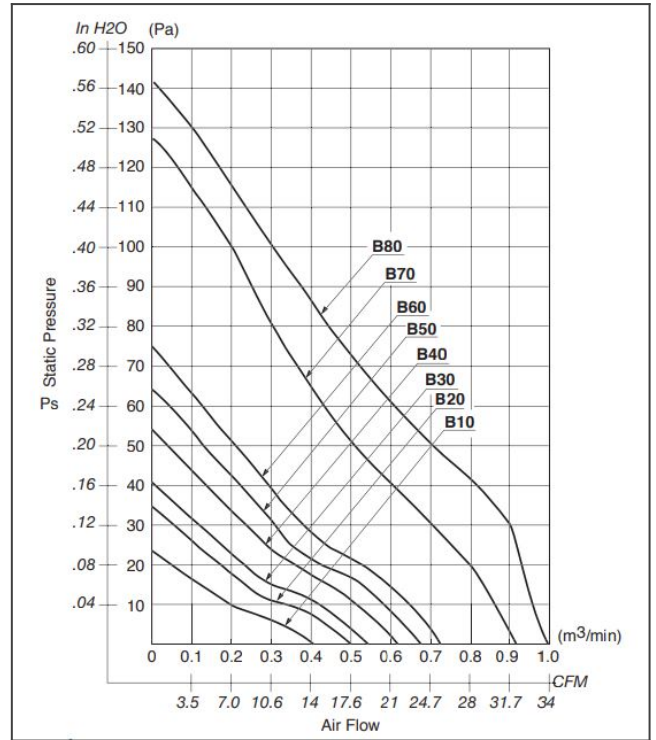
**DC Fans**



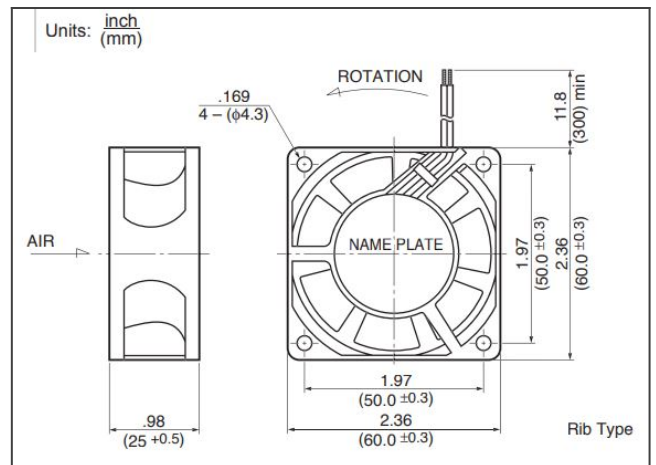
**Material**

Casing: Plastic (Black) UL94V-0  
 Impeller: Plastic (Black) UL94V-0  
 Lead Wire: UL1007, AWG24, +Red, -Black

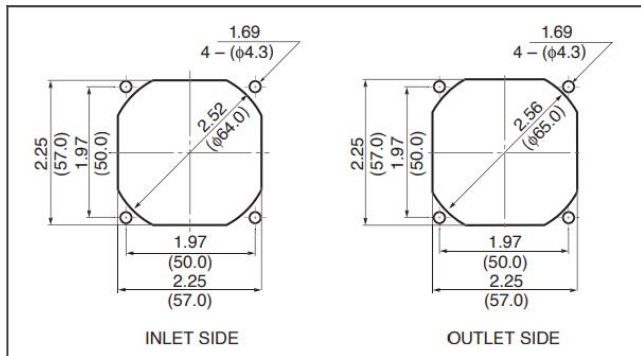
**2410ML characteristic curve**



**2410ML product drawing**



**2410ML panel cut out**



## Detailed Specifications

DC Fans

<b>Expected Life:</b>	25 degree C 100,000 Hours (L10)
<b>DC Fan:</b>	Ball Bearing Fan
<b>Nominal Voltage:</b>	24[V]
<b>Operating Voltage Lower:</b>	10[V]
<b>Operating Voltage Upper:</b>	27.6[V]
<b>Current:</b>	0.07[A]
<b>Input Power:</b>	1.7[W]
<b>Speed:</b>	3600[ $\text{min}^{-1}$ ]
<b>Max. Air Flow:</b>	0.48[ $\text{m}^3/\text{min}$ ]
<b>Max. Air Flow:</b>	16.9[CFM]
<b>Max. Static Pressure:</b>	31.9[Pa]
<b>Max. Static Pressure:</b>	0.13[In H <sub>2</sub> O]
<b>Noise:</b>	28[dB]
<b>Mass:</b>	65[g]
<b>Fan Size:</b>	60[mm]
<b>Fan Width:</b>	25[mm]
<b>Life Expectancy L10:</b>	25 degree C 100,000 Hours (L10)
<b>Series:</b>	2410ML