

General Specifications

Motor Protection: Auto Restart / Polarity Protection
 Insulation Resistance: 10M Ohm or over with a DC500V Megger
 Dielectric Withstand Voltage: AC 700V 1st
 Allowable Ambient Temperature Range:
 -10 degree C ~ +70 degree C (Operating)
 -40 degree C ~ +70 degree C (Storage)
 (non-condensing environment)

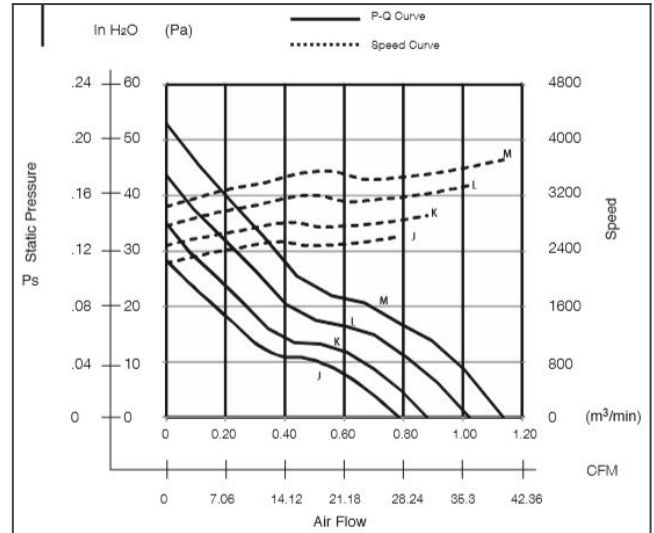
Material

Casing: Plastic (Black) UL94V-0
 Impeller: Plastic (Black) UL94V-0
 Lead Wire: UL1007, AWG24, +Red, -Black

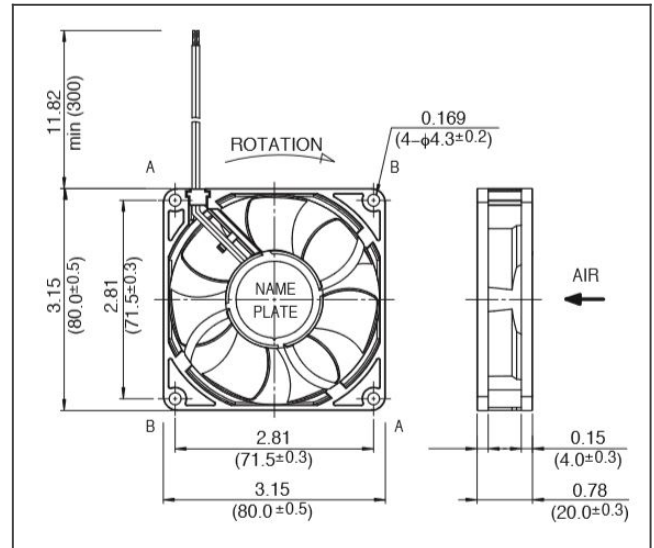
3108NL product picture



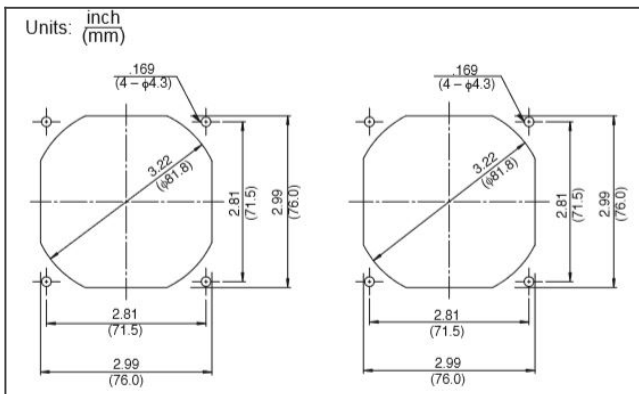
3108NL characteristic curve



3108NL product drawing



3108NL panel cut out



DC Fans

Detailed Specifications

Expected Life:	60 degree C 40,000 Hours (L10)
DC Fan:	Ball Bearing Fan
Nominal Voltage:	12
Operating Voltage Lower:	6
Operating Voltage Upper:	13.8
Current:	0.14
Input Power:	1.68
Speed:	2950
Max. Air Flow:	0.98
Max. Air Flow:	34.6
Max. Static Pressure:	33.5
Max. Static Pressure:	0.13
Noise:	32.5
Mass:	85
Fan Size:	80
Fan Width:	20

DC Fans