

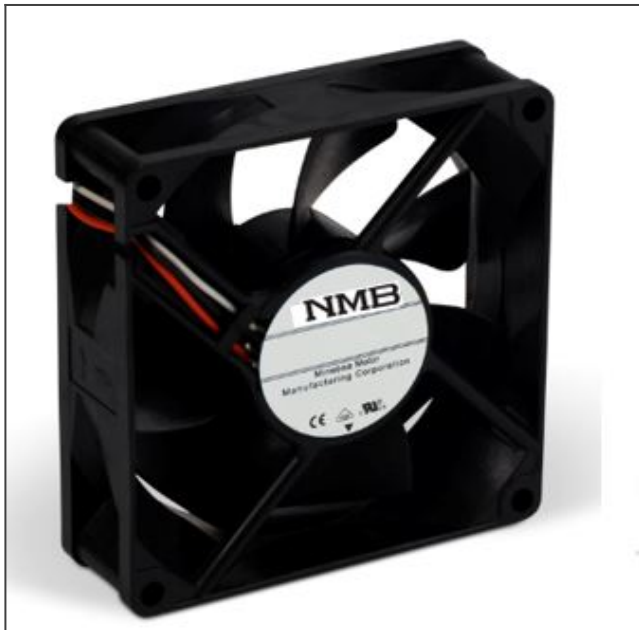
General Specifications

Motor Protection: Auto Restart / Polarity Protection
 Insulation Resistance: 10M Ohm or over with a DC500V Megger
 Dielectric Withstand Voltage: AC 700V 1st
 Allowable Ambient Temperature Range:
 B70 Class: -10 degree C ~ +60 degree C (Operating)
 B10 ~ B60 Class: -10 degree C ~ +70 degree C (Operating)
 All Class: -40 degree C ~ +70 degree C (Storage)
 (non-condensing environment)
 (non-condensing environment)

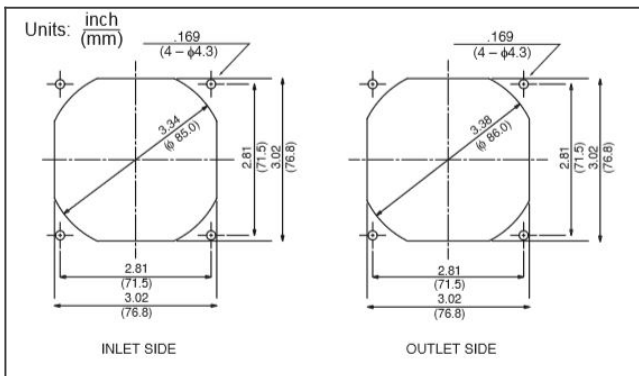
Material

Casing: Plastic (Black) UL94V-0
 Impeller: Plastic (Black) UL94V-0
 Lead Wire: UL1007, AWG24, +Red, -Black

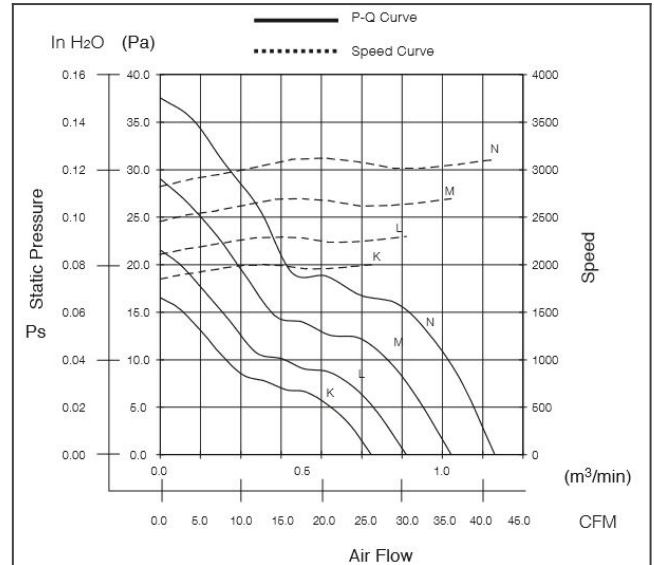
3110KL product picture



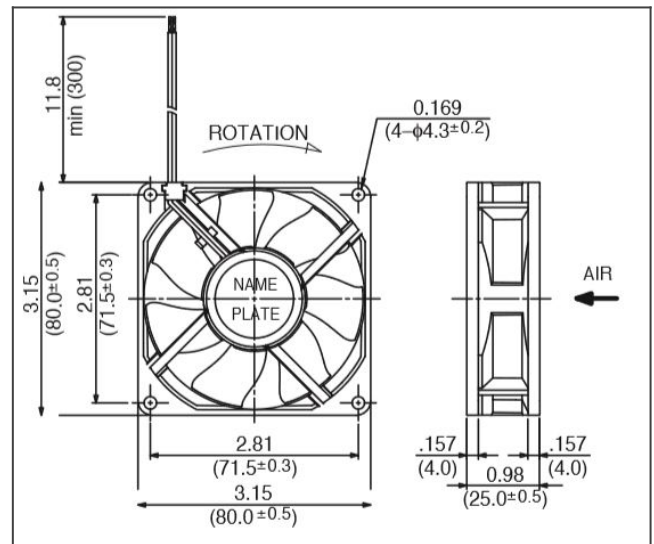
3110KL panel cut out



3110KL characteristic curve



3110KL product drawing



Detailed Specifications

Expected Life: 25 degree C 100,000 Hours (E00) 25 degree C 70,000 Hours (D00)

DC Fan: Ball Bearing Fan

Nominal Voltage: 12

Operating Voltage Lower: 6

Operating Voltage Upper: 13.8

Current: 0.11

Input Power: 1.32

Speed: 2400

Max. Air Flow: 0.8

Max. Air Flow: 28.2

Max. Static Pressure: 21.6

Max. Static Pressure: 0.08

Noise: 25

Mass: 95

Fan Size: 80

Fan Width: 25

DC Fans