

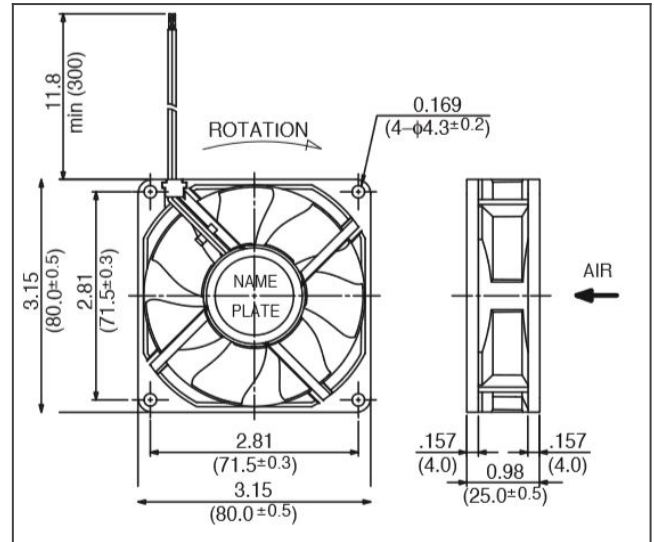
General Specifications

Motor Protection: Auto Restart / Polarity Protection
 Insulation Resistance: 10M Ohm or over with a DC500V Megger
 Dielectric Withstand Voltage: AC 700V 1st
 Allowable Ambient Temperature Range:
 B70 Class: -10 degree C ~ +60 degree C (Operating)
 B10 ~ B60 Class: -10 degree C ~ +70 degree C (Operating)
 All Class: -40 degree C ~ +70 degree C (Storage)
 (non-condensing environment)
 (non-condensing environment)

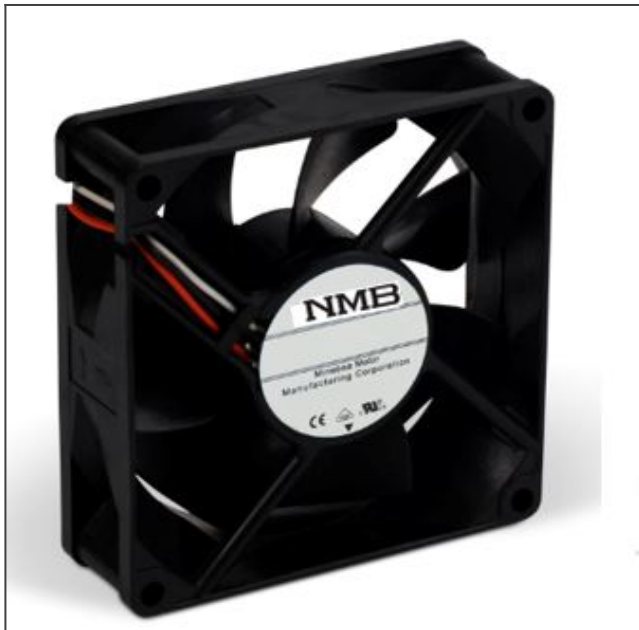
Material

Casing: Plastic (Black) UL94V-0
 Impeller: Plastic (Black) UL94V-0
 Lead Wire: UL1007, AWG24, +Red, -Black

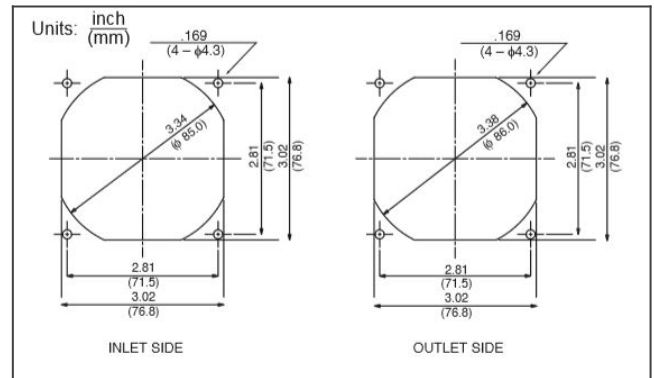
3110KL product drawing



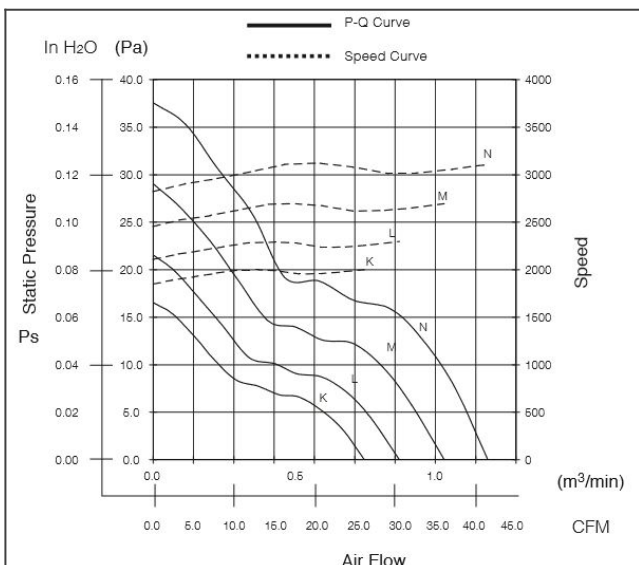
3110KL product picture



3110KL panel cut out



3110KL characteristic curve



Detailed Specifications

Expected Life: 25 degree C 100,000 Hours (E00) 25 degree C 70,000 Hours (D00)

DC Fan: Ball Bearing Fan

DC Fans