

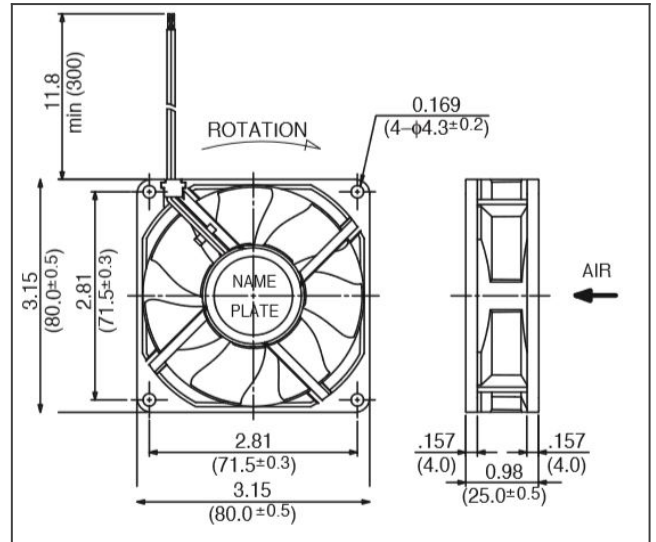
## General Specifications

Motor Protection: Auto Restart / Polarity Protection  
 Insulation Resistance: 10M Ohm or over with a DC500V Megger  
 Dielectric Withstand Voltage: AC 700V 1st  
 Allowable Ambient Temperature Range:  
 B70 Class: -10 degree C ~ +60 degree C (Operating)  
 B10 ~ B60 Class: -10 degree C ~ +70 degree C (Operating)  
 All Class: -40 degree C ~ +70 degree C (Storage)  
 (non-condensing environment)  
 (non-condensing environment)

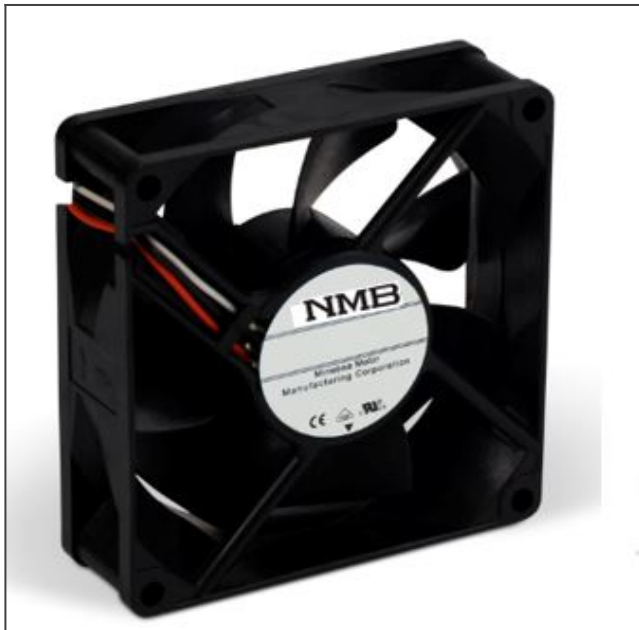
## Material

Casing: Plastic (Black) UL94V-0  
 Impeller: Plastic (Black) UL94V-0  
 Lead Wire: UL1007, AWG24, +Red, -Black

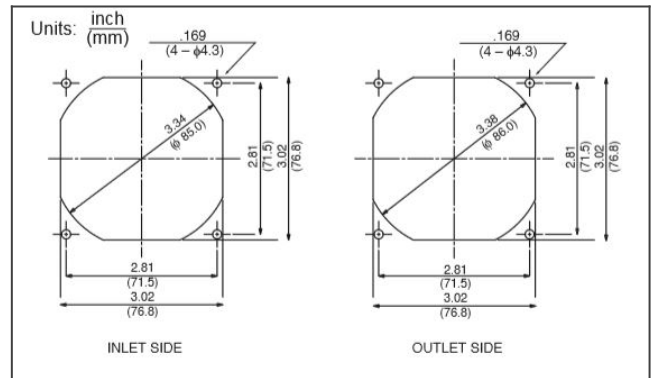
### 3110KL product drawing



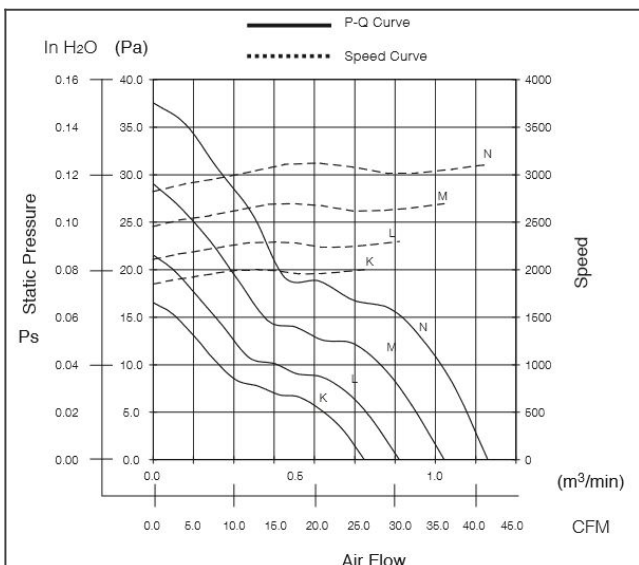
### 3110KL product picture



### 3110KL panel cut out



### 3110KL characteristic curve



## Detailed Specifications

**Expected Life:** 25 degree C 100,000 Hours (E00) 25 degree C 70,000 Hours (D00)

**DC Fan:** Ball Bearing Fan

**Nominal Voltage:** 24

**Operating Voltage Lower:** 10

**Operating Voltage Upper:** 27.6

**Current:** 0.1

**Input Power:** 2.4

**Speed:** 3000

**Max. Air Flow:** 1

**Max. Air Flow:** 35.5

**Max. Static Pressure:** 32.3

**Max. Static Pressure:** 0.13

**Noise:** 31

**Mass:** 95

**Fan Size:** 80

**Fan Width:** 25

**DC Fans**