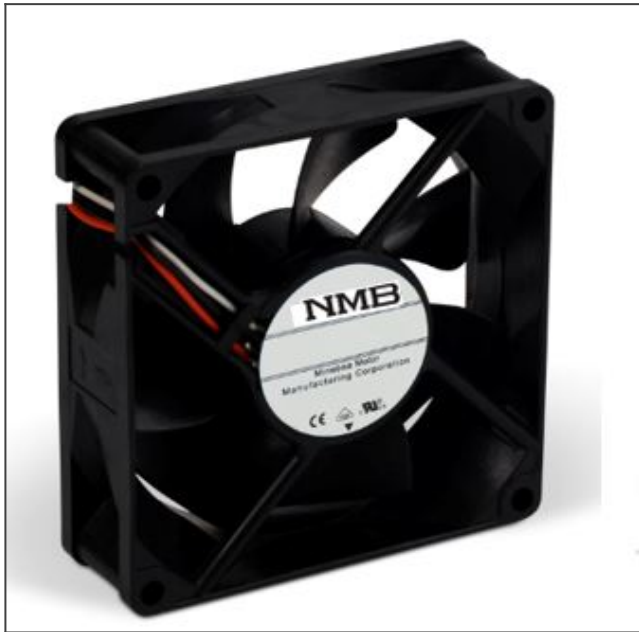


General Specifications

Motor Protection: Auto Restart / Polarity Protection
 Insulation Resistance: 10M Ohm or over with a DC500V Megger
 Dielectric Withstand Voltage: AC 700V 1st
 Allowable Ambient Temperature Range:
 B70 Class: -10 degree C ~ +60 degree C (Operating)
 B10 ~ B60 Class: -10 degree C ~ +70 degree C (Operating)
 All Class: -40 degree C ~ +70 degree C (Storage)
 (non-condensing environment)
 (non-condensing environment)

order part 3110KL-05W-B40-G00 Ball Bearing Fan DC Fans

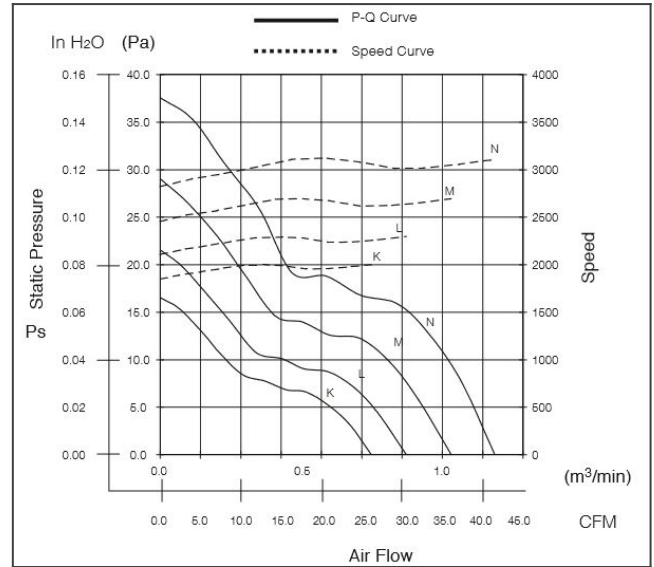


DC Fans

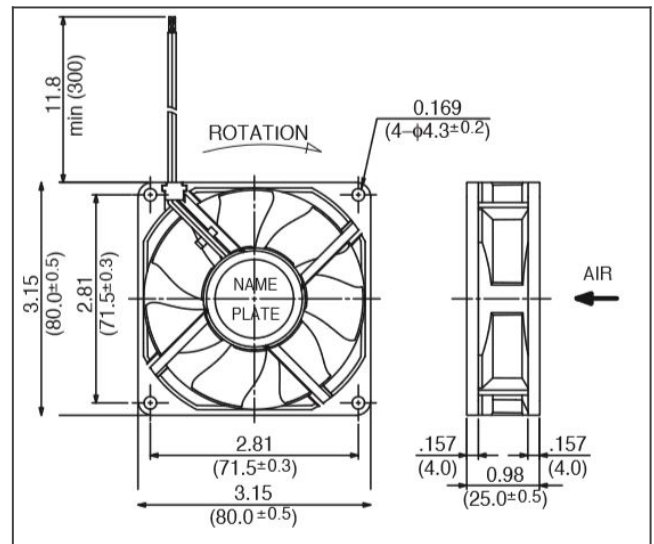
Material

Casing: Plastic (Black) UL94V-0
 Impeller: Plastic (Black) UL94V-0
 Lead Wire: UL1007, AWG24, +Red, -Black

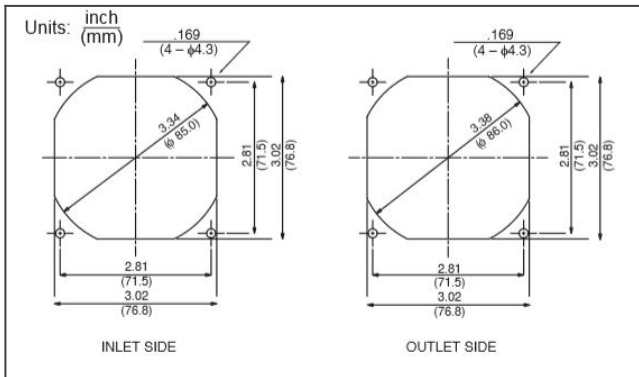
3110KL characteristic curve



3110KL product drawing



3110KL panel cut out



Detailed Specifications

Expected Life: 25 degree C 100,000 Hours (E00) 25 degree C 70,000 Hours (D00)

DC Fan: Ball Bearing Fan

Nominal Voltage: 24[V]

Operating Voltage Lower: 10[V]

Operating Voltage Upper: 27.6[V]

Current: 0.1[A]

Input Power: 2.4[W]

Speed: 3000[min^{-1}]

Max. Air Flow: 1[m³/min]

Max. Air Flow: 35.5[CFM]

Max. Static Pressure: 32.3[Pa]

Max. Static Pressure: 0.13[In H₂O]

Noise: 31[dB]

Mass: 95[g]

Fan Size: 80[mm]

Fan Width: 25[mm]

Life Expectancy L10: 25 degree C 100,000 Hours (E00) 25 degree C 70,000 Hours (D00)

Series: 3110KL