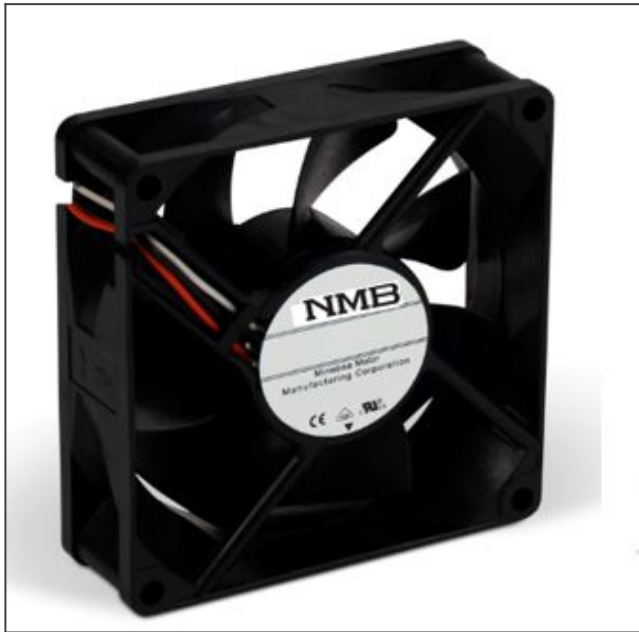


## General Specifications

Motor Protection: Auto Restart / Polarity Protection  
 Insulation Resistance: 10M Ohm or over with a DC500V Megger  
 Dielectric Withstand Voltage: AC 700V 1st  
 Allowable Ambient Temperature Range:  
 B70 Class: -10 degree C ~ +60 degree C (Operating)  
 B10 ~ B60 Class: -10 degree C ~ +70 degree C (Operating)  
 All Class: -40 degree C ~ +70 degree C (Storage)  
 (non-condensing environment)  
 (non-condensing environment)

**order part 3110KL-05W-B69-D00 Ball Bearing Fan DC Fans**

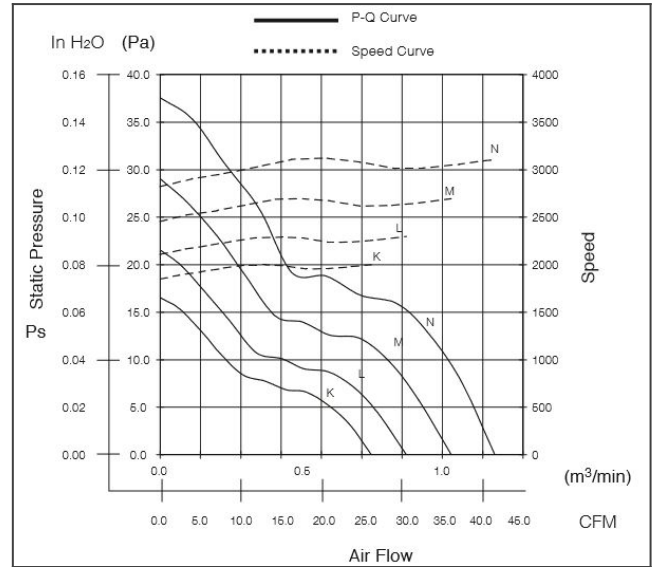


DC Fans

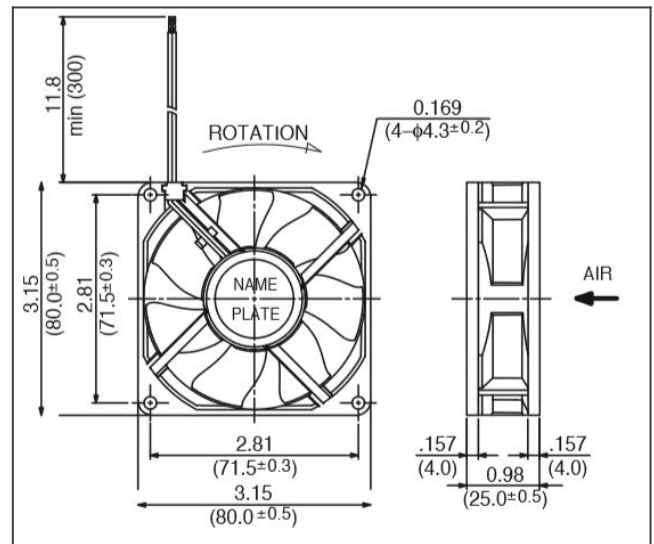
## Material

Casing: Plastic (Black) UL94V-0  
 Impeller: Plastic (Black) UL94V-0  
 Lead Wire: UL1007, AWG24, +Red, -Black

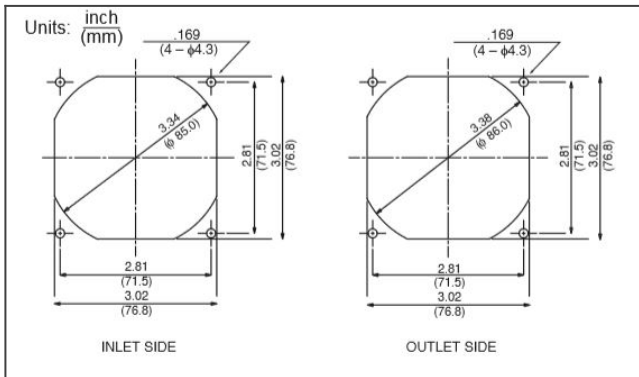
### 3110KL characteristic curve



### 3110KL product drawing



### 3110KL panel cut out



## Detailed Specifications

**Expected Life:** 25 degree C 100,000 Hours (E00) 25 degree C 70,000 Hours (D00)

**DC Fan:** Ball Bearing Fan

**Nominal Voltage:** 24[V]

**Operating Voltage Lower:** 10[V]

**Operating Voltage Upper:** 26.4[V]

**Current:** 0.14[A]

**Input Power:** 3.4[W]

**Speed:** 3400[ $\text{min}^{-1}$ ]

**Max. Air Flow:** 1.14[m<sup>3</sup>/min]

**Max. Air Flow:** 40.2[CFM]

**Max. Static Pressure:** 40.2[Pa]

**Max. Static Pressure:** 0.16[In H<sub>2</sub>O]

**Noise:** 35[dB]

**Mass:** 95[g]

**Fan Size:** 80[mm]

**Fan Width:** 25[mm]

**Life Expectancy L10:** 25 degree C 100,000 Hours (E00) 25 degree C 70,000 Hours (D00)

**Series:** 3110KL