

General Specifications

Motor Protection: Auto Restart
 Insulation Resistance: 10M Ohm or over with a DC500V Megger
 Dielectric Withstand Voltage: AC 700V 1st
 Allowable Ambient Temperature Range:
 -10 degree C ~ +70 degree C (Operating)
 -40 degree C ~ +70 degree C (Storage)
 (non-condensing environment)

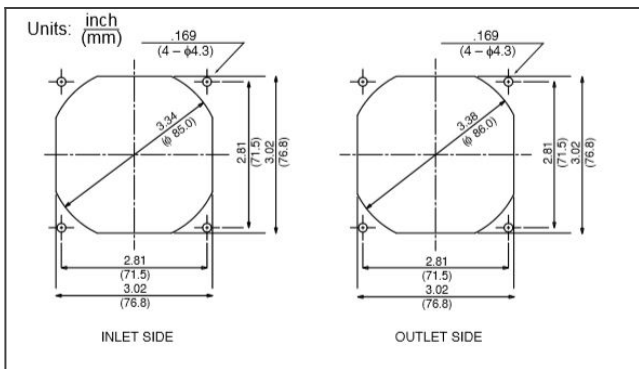
Material

Casing: Plastic (Black) UL94V-0
 Impeller: Plastic (Black) UL94V-0
 Lead Wire: UL3385, AWG26, +Red, -Black

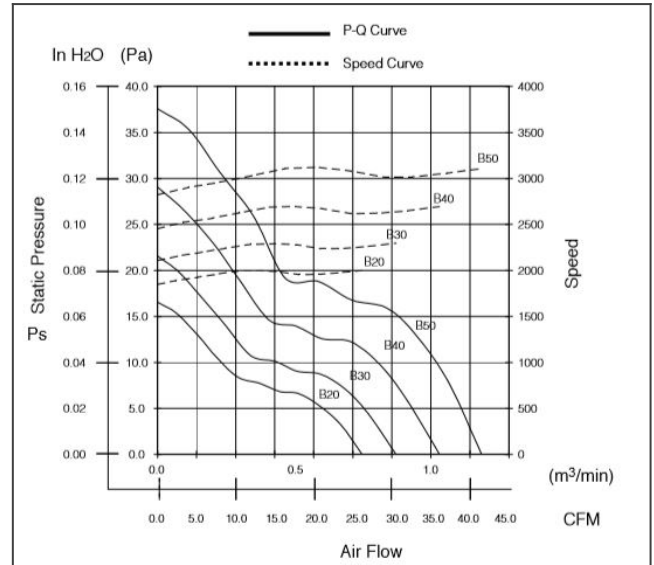
3110SB product picture



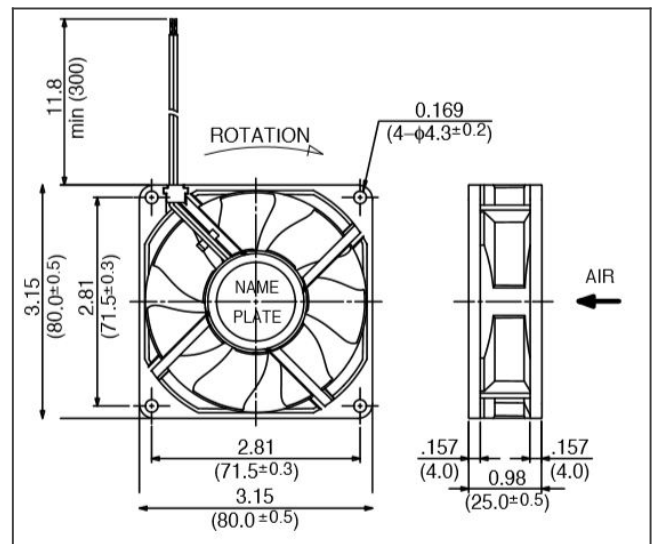
3110SB panel cut out



3110SB characteristic curve



3110SB product drawing



Detailed Specifications

Expected Life:	25 degree C 100,000 Hours (L10)
DC Fan:	Ball Bearing Fan
Nominal Voltage:	12
Operating Voltage Lower:	6
Operating Voltage Upper:	13.8
Current:	0.09
Input Power:	1.08
Speed:	2700
Max. Air Flow:	1.02
Max. Air Flow:	36
Max. Static Pressure:	29
Max. Static Pressure:	0.12
Noise:	26
Mass:	80
Fan Size:	80
Fan Width:	25

DC Fans