

## General Specifications

Motor Protection: Auto Restart / Polarity Protection  
 Insulation Resistance: 10M Ohm or over with a DC500V Megger  
 Dielectric Withstand Voltage: AC 700V 1st  
 Allowable Ambient Temperature Range:  
 B60 Class: -10 degree C ~ +60 degree C (Operating)  
 B30 ~ B50 Class: -10 degree C ~ +70 degree C (Operating)  
 All Class: -40 degree C ~ +70 degree C (Storage)  
 (non-condensing environment)

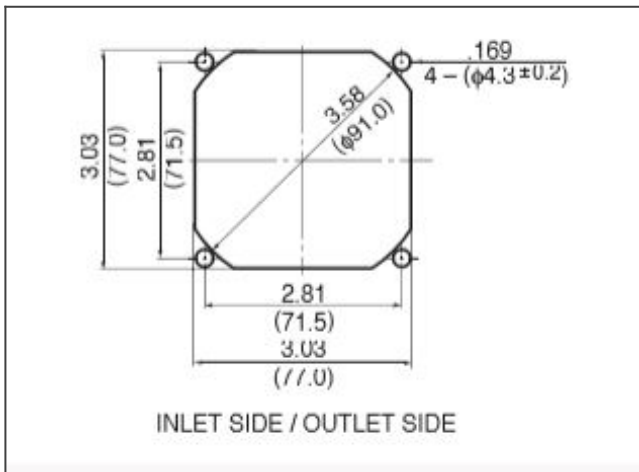
## Material

Casing: Plastic (Black) UL94V-0  
 Impeller: Plastic (Black) UL94V-0  
 Lead Wire: UL1007, AWG24, +Red, -Black

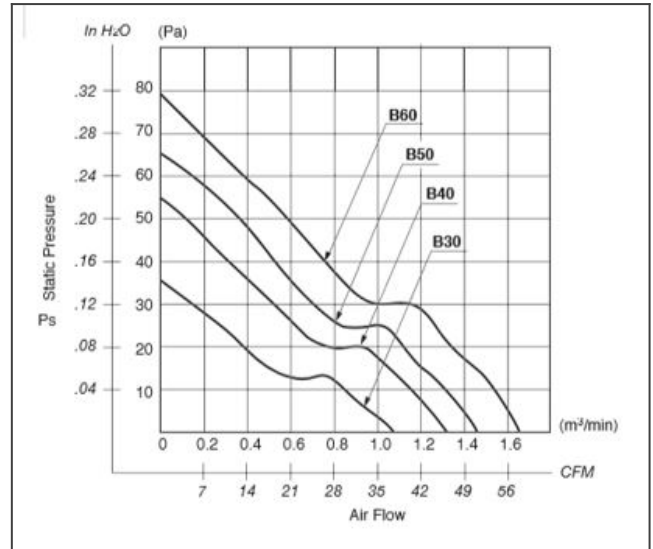
**3112KL product picture**



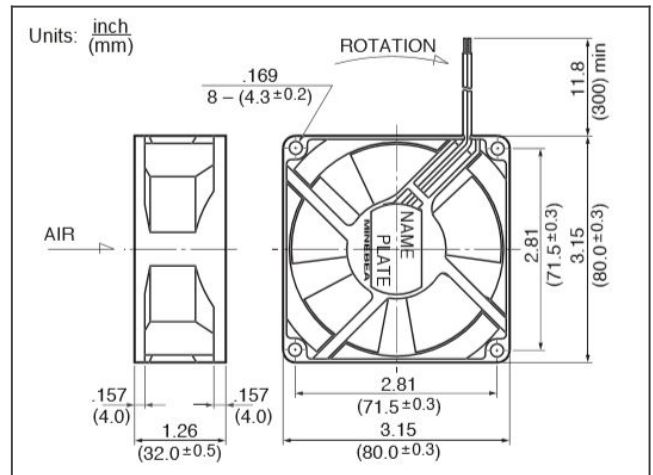
**3112KL panel cut out**



**3112KL characteristic curve**



**3112KL product drawing**



## Detailed Specifications

<b>Expected Life:</b>	25 degree C 100,000 Hours (E00)
<b>DC Fan:</b>	Ball Bearing Fan
<b>Nominal Voltage:</b>	24
<b>Operating Voltage Lower:</b>	10
<b>Operating Voltage Upper:</b>	27.6
<b>Current:</b>	0.1
<b>Input Power:</b>	2.4
<b>Speed:</b>	2850
<b>Max. Air Flow:</b>	1.08
<b>Max. Air Flow:</b>	38.1
<b>Max. Static Pressure:</b>	35.2
<b>Max. Static Pressure:</b>	0.14
<b>Noise:</b>	32
<b>Mass:</b>	95
<b>Fan Size:</b>	80
<b>Fan Width:</b>	32

DC Fans