

General Specifications

Motor Protection: Auto Restart / Polarity Protection
 Insulation Resistance: 10M Ohm or over with a DC500V Megger
 Dielectric Withstand Voltage: AC 700V 1st
 Allowable Ambient Temperature Range:
 B60 Class: -10 degree C ~ +60 degree C (Operating)
 B30 ~ B50 Class: -10 degree C ~ +70 degree C (Operating)
 All Class: -40 degree C ~ +70 degree C (Storage)
 (non-condensing environment)

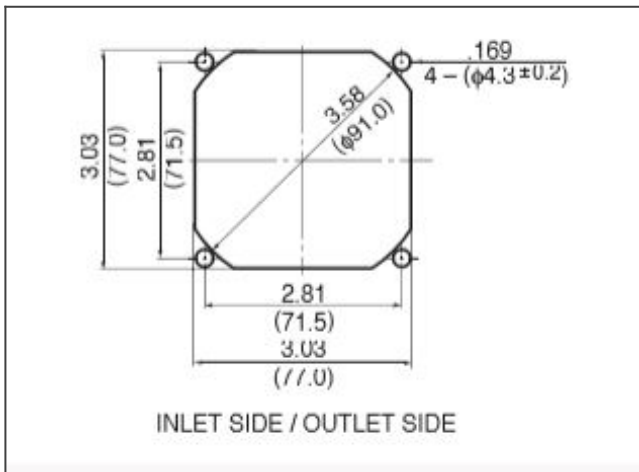
Material

Casing: Plastic (Black) UL94V-0
 Impeller: Plastic (Black) UL94V-0
 Lead Wire: UL1007, AWG24, +Red, -Black

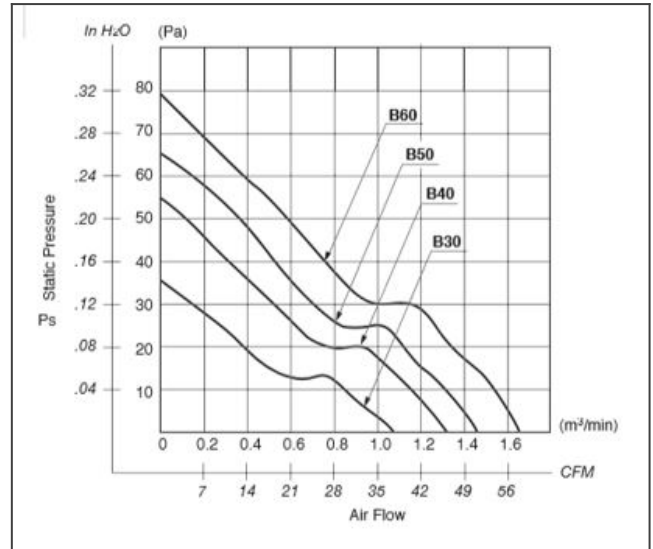
3112KL product picture



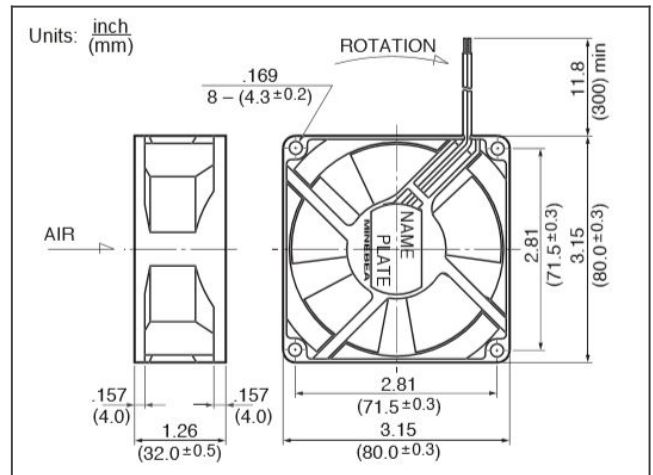
3112KL panel cut out



3112KL characteristic curve



3112KL product drawing



Detailed Specifications

Expected Life:	25 degree C 100,000 Hours (E00)
DC Fan:	Ball Bearing Fan
Nominal Voltage:	24
Operating Voltage Lower:	10
Operating Voltage Upper:	25.2
Current:	0.19
Input Power:	4.56
Speed:	3850
Max. Air Flow:	1.46
Max. Air Flow:	51.5
Max. Static Pressure:	65.1
Max. Static Pressure:	0.26
Noise:	41
Mass:	95
Fan Size:	80
Fan Width:	32

DC Fans