

General Specifications

Motor Structure: Shaded Pole Induction Motor
 Motor Protection: Impedance Protection
 Insulation Resistance: 10M Ohm or over with DC500V Megger
 Dielectric Withstand Voltage: AC 700V 1s
 Allowable Ambient Temperature Range:
 -10 degree C ~ +70 degree C (Operating)
 -40 degree C ~ +70 degree C (Storage)
 (non-condensing environment)

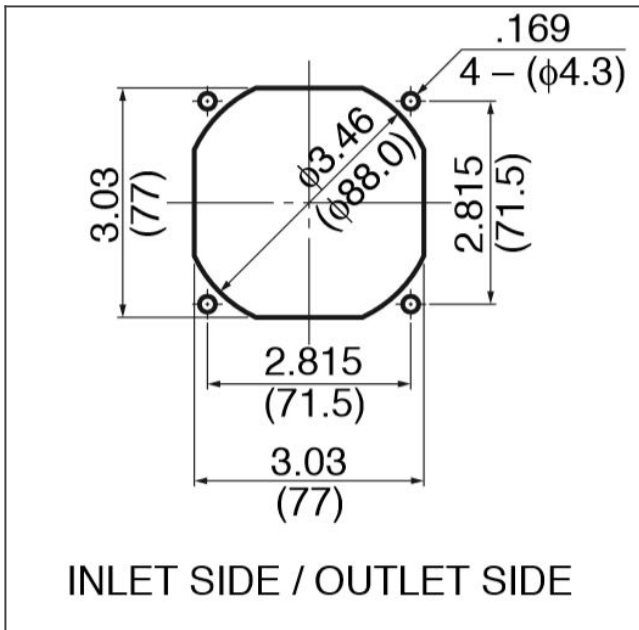
Material

Casing: Aluminum Black Painting
 Impeller: Plastic (Black) UL94V-0
 Lead Wire or Terminal: UL3266, AWG22 / Faston #110 or equivalent

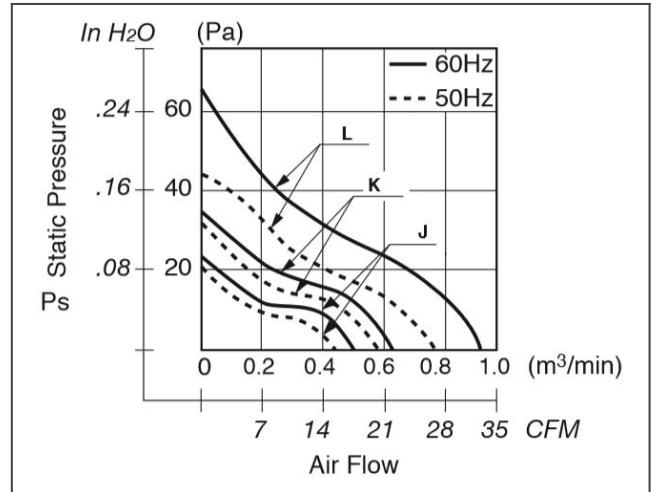
3115PS product picture



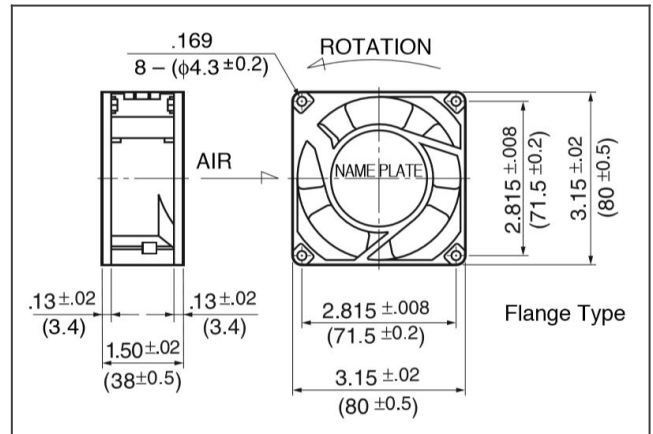
3115PS panel cut out



3115PS characteristics curve



3115PS product drawing



AC Fans

Detailed Specifications

Expected Life:	*Failure rate 10% 25deg.C 100,000 hours
Nominal Voltage:	115
Frequency:	60
Starting Voltage:	75
AC Fans:	Ball Bearing Fan
Current:	0.11
Input Power (+10% - 20%):	7
Speed:	3200
Max. Air Flow:	0.9
Max. Air Flow:	32.1
Max. Static Pressure:	49.1
Max. Static Pressure:	0.2
Noise:	38
Fan Size:	80
Fan Width:	38
Mass:	270

AC Fans