

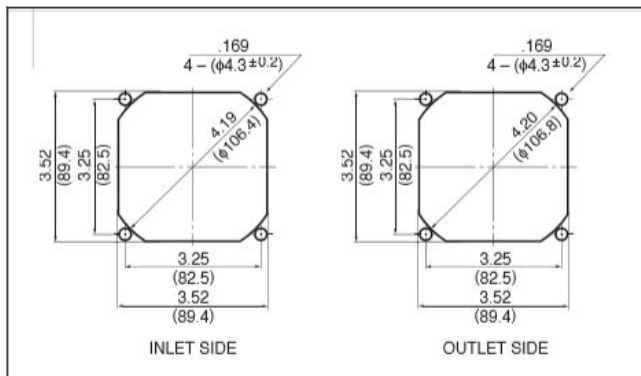
General Specifications

Motor Protection: Auto Restart/Polarity Protection
 Insulation Resistance: 10M Ohm or over with a DC500V Megger
 Dielectric Withstand Voltage: AC 700V 1st
 Allowable Ambient Temperature Range:
 B60 Class: -10 degree C ~ +50 degree C (Operating)
 B10 ~ B50 Class: -10 degree C ~ +70 degree C (Operating)
 All Class: -40 degree C ~ +70 degree C (Storage)
 (non-condensing environment)

order part 3610KL-04W-B10-P00 Ball Bearing Fan DC Fans



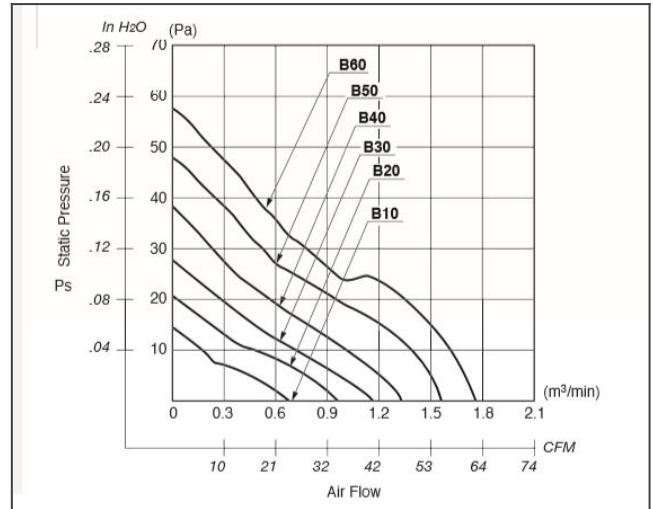
3610KL panel cut out



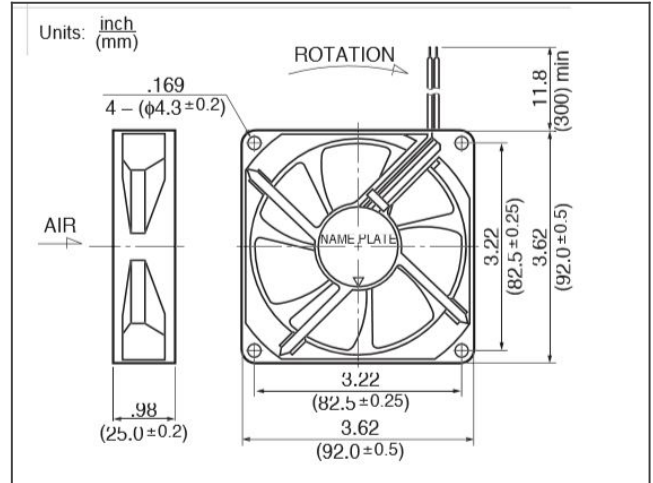
Material

Casing: Plastic (Black) UL94V-0
 Impeller: Plastic (Black) UL94V-0
 Lead Wire: UL1007, AWG24, +Red, -Black

3610KL characteristic curve



3610KL product drawing



DC Fans

Detailed Specifications

Expected Life: 25 degree C 100,000 Hours (L10) (B00, E00) 25 degree C 70,000 Hours (L10) (D00)

DC Fan: Ball Bearing Fan

Nominal Voltage: 12[V]

Operating Voltage Lower: 6[V]

Operating Voltage Upper: 13.8[V]

Current: 0.073[A]

Input Power: 0.9[W]

Speed: 1750[min^{-1}]

Max. Air Flow: 0.75[m³/min]

Max. Air Flow: 26.5[CFM]

Max. Static Pressure: 14.2[Pa]

Max. Static Pressure: 0.06[In H₂O]

Noise: 25[dB]

Mass: 95[g]

Fan Size: 92[mm]

Fan Width: 25[mm]

Life Expectancy L10: 25 degree C 100,000 Hours (L10) (B00, E00) 25 degree C 70,000 Hours (L10) (D00)

Series: 3610KL

DC Fans