

General Specifications

Motor Protection: Auto Restart/Polarity Protection
 Insulation Resistance: 10M Ohm or over with a DC500V Megger
 Dielectric Withstand Voltage: AC 700V 1st
 Allowable Ambient Temperature Range:
 B60 Class: -10 degree C ~ +50 degree C (Operating)
 B10 ~ B50 Class: -10 degree C ~ +70 degree C (Operating)
 All Class: -40 degree C ~ +70 degree C (Storage)
 (non-condensing environment)

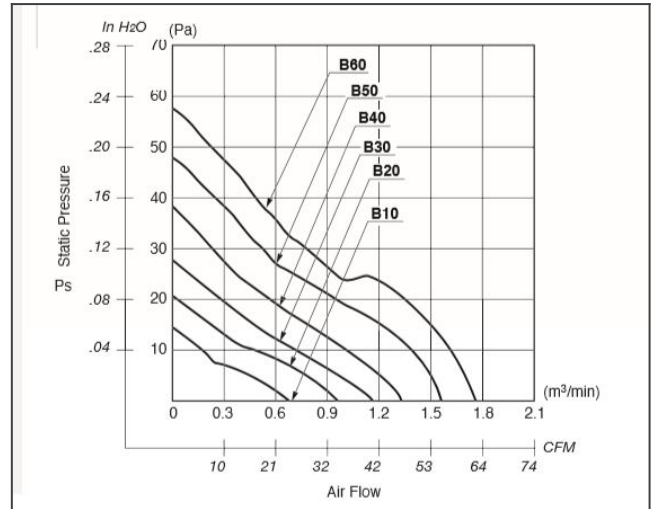
Material

Casing: Plastic (Black) UL94V-0
 Impeller: Plastic (Black) UL94V-0
 Lead Wire: UL1007, AWG24, +Red, -Black

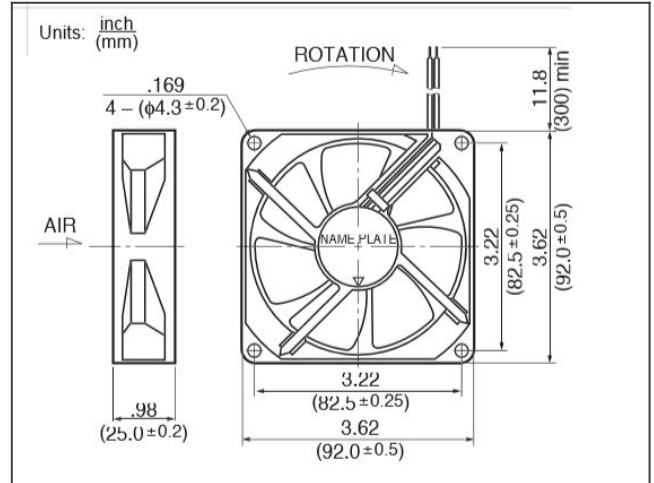
3610KL product picture



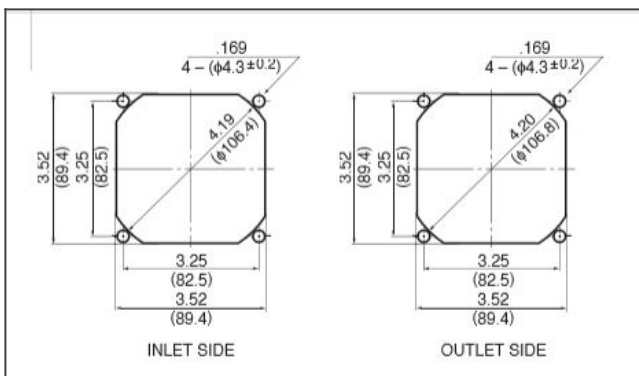
3610KL characteristic curve



3610KL product drawing



3610KL panel cut out



DC Fans

Detailed Specifications

Expected Life: 25 degree C 100,000 Hours (L10) (B00, E00) 25 degree C 70,000 Hours (L10) (D00)

DC Fan: Ball Bearing Fan

Nominal Voltage: 24

Operating Voltage Lower: 10

Operating Voltage Upper: 27.6

Current: 0.09

Input Power: 2.16

Speed: 2450

Max. Air Flow: 1.15

Max. Air Flow: 40.6

Max. Static Pressure: 27

Max. Static Pressure: 0.11

Noise: 34

Mass: 95

Fan Size: 92

Fan Width: 25

DC Fans