

General Specifications

Motor Structure: Shaded Pole Induction Motor
 Motor Protection: Impedance Protection
 Insulation Resistance: 10M Ohm or over with DC500V Megger
 Dielectric Withstand Voltage: AC 700V 1s
 Allowable Ambient Temperature Range:
 -10 degree C ~ +70 degree C (Operating)
 -40 degree C ~ +70degree C (Storage)
 (non-condensing environment)

Material

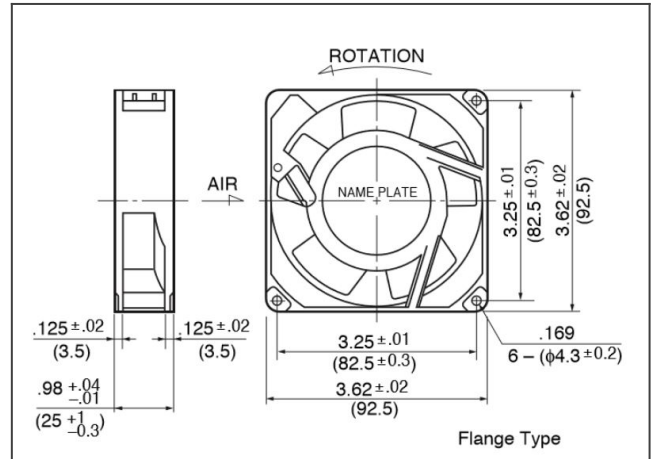
Casing: Aluminum Black Painting
 Impeller: Plastic (Black) UL94V-0
 Lead Wire or Terminal: UL3266, AWG22 / Faston #110 or equivalent

AC Fans

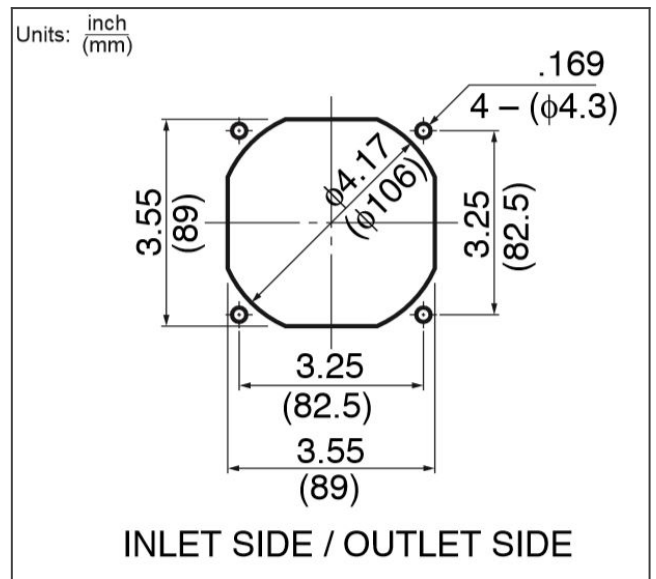
3610PS product picture



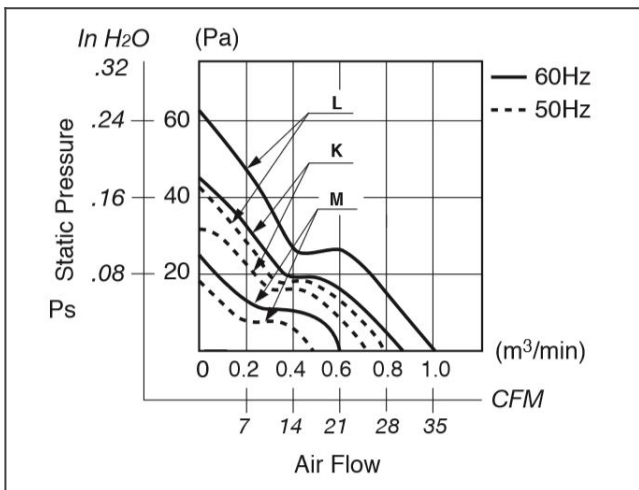
3610PS product drawing



3610PS panel cut out



3610PS characteristics curve



Detailed Specifications

Expected Life:	*Failure rate 10% 25deg.C 100,000 hours
Nominal Voltage:	115
Frequency:	50
Starting Voltage:	75
AC Fans:	Ball Bearing Fan
Current:	0.09
Input Power (+10% - 20%):	7
Speed:	1450
Max. Air Flow:	0.46
Max. Air Flow:	16
Max. Static Pressure:	13.7
Max. Static Pressure:	0.05
Noise:	22
Fan Size:	92
Fan Width:	25
Mass:	300

AC Fans