

General Specifications

Motor Protection: Auto Restart/Polarity Protection
 Insulation Resistance: 10M Ohm or over with a DC500V Megger
 Dielectric Withstand Voltage: AC 700V 1st
 Allowable Ambient Temperature Range:
 -10 degree C ~ +70 degree C (Operating)
 -40 degree C ~ +70 degree C (Storage)
 (non-condensing environment)

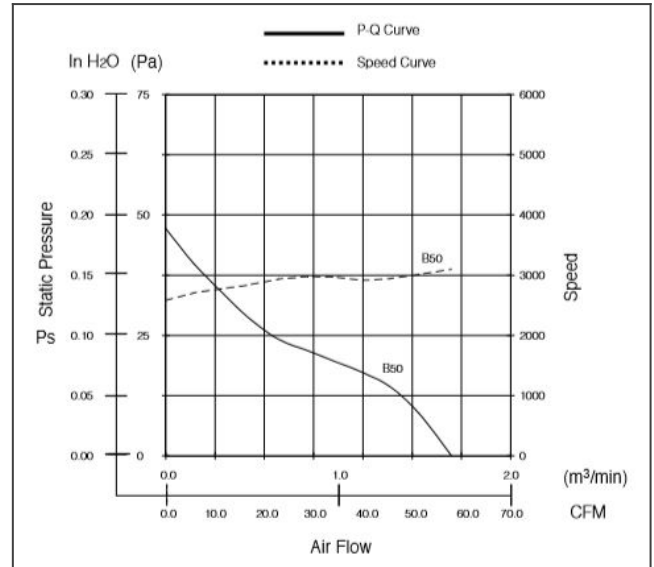
Material

Casing: Plastic (Black) UL94V-0
 Impeller: Plastic (Black) UL94V-0
 Lead Wire: UL3385, AWG26, +Red, -Black

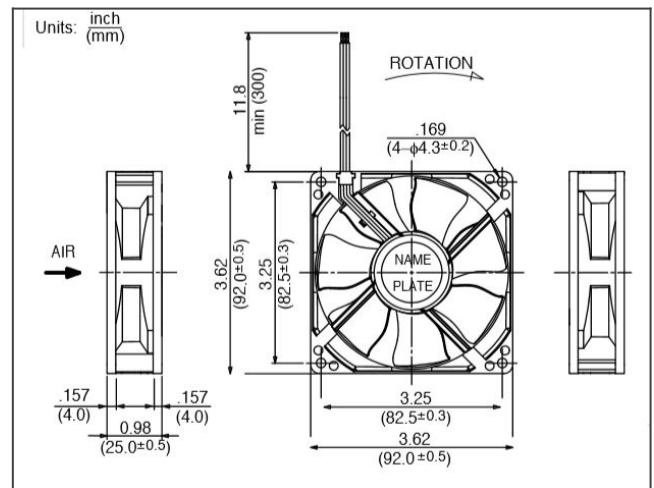
3610SB product picture



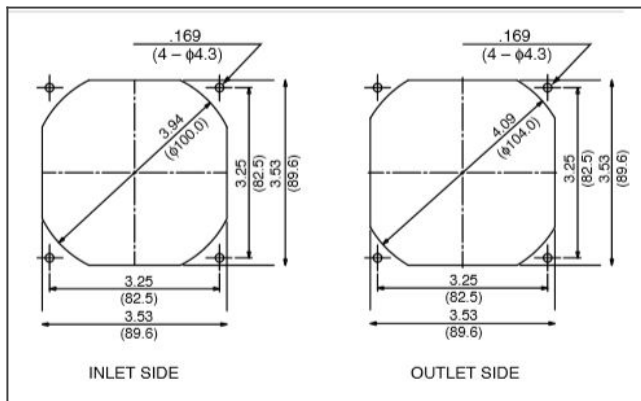
3610SB characteristic curve



3610SB product drawing



3610SB panel cut out



DC Fans

Detailed Specifications

Expected Life:	60 degree C 40,000 Hours (L10) AA/EA
DC Fan:	Ball Bearing Fan
Nominal Voltage:	12
Operating Voltage Lower:	6
Operating Voltage Upper:	13.8
Current:	0.07
Input Power:	0.84
Speed:	2050
Max. Air Flow:	0.95
Max. Air Flow:	33.5
Max. Static Pressure:	21.5
Max. Static Pressure:	0.09
Noise:	22
Mass:	95
Fan Size:	92
Fan Width:	25

DC Fans