

General Specifications

Motor Protection: Auto Restart / Polarity Protection
 Insulation Resistance: 10M Ohm or over with a DC500V Megger
 Dielectric Withstand Voltage: AC 700V 1st
 Allowable Ambient Temperature Range:
 -10 degree C ~ +60 degree C (Operating)
 -40 degree C ~ +70 degree C (Storage)
 (non-condensing environment)

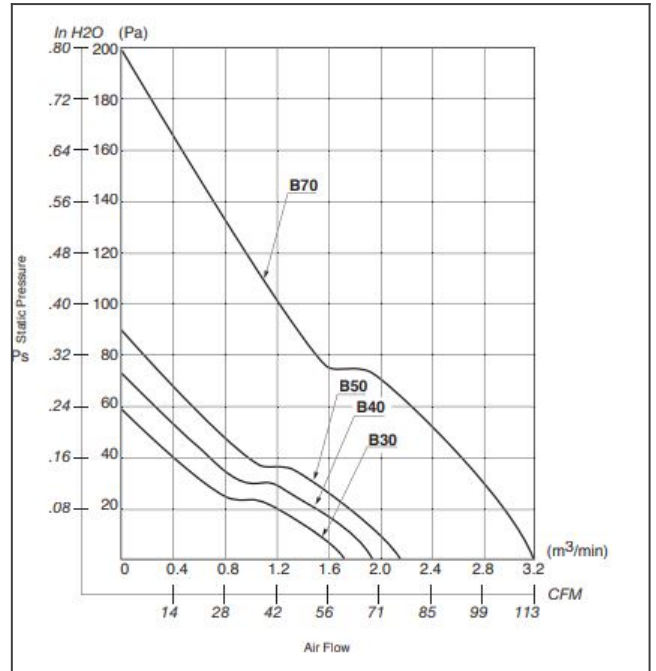
Material

Casing: Plastic (Black) 94V-0
 Impeller: Plastic (Black)94V-0
 Lead Wire: UL1007, AWG26, +Red, -Black

3612KL product picture

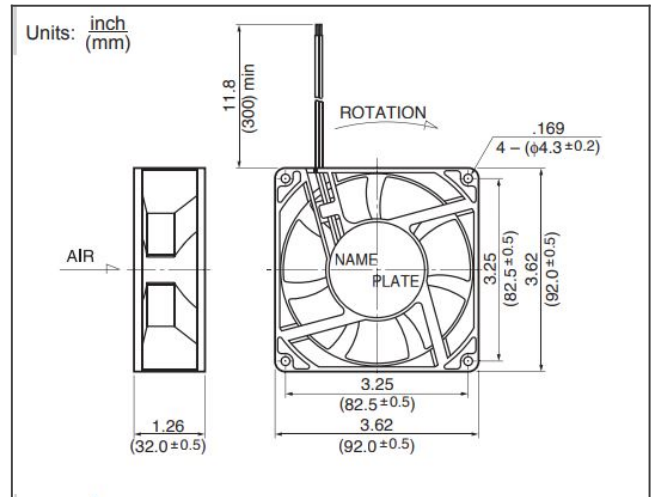


3612KL characteristic curve

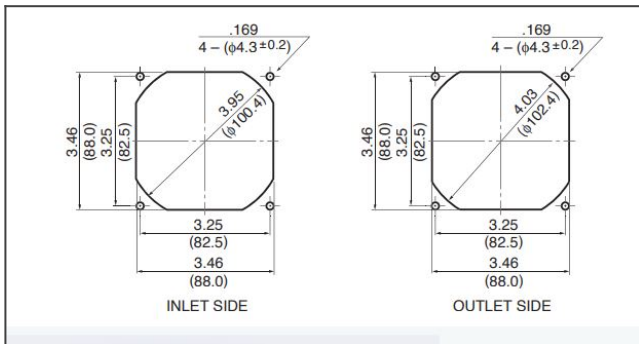


DC Fans

3612KL product drawing



3612KL panel cut out



Detailed Specifications

Expected Life:	25 degree C 100,000 Hours (L10)
DC Fan:	Ball Bearing Fan
Nominal Voltage:	24
Operating Voltage Lower:	15
Operating Voltage Upper:	27.6
Current:	0.1
Input Power:	2.4
Speed:	2600
Max. Air Flow:	1.34
Max. Air Flow:	47.3
Max. Static Pressure:	41
Max. Static Pressure:	0.16
Noise:	34
Mass:	230
Fan Size:	92
Fan Width:	32

DC Fans