

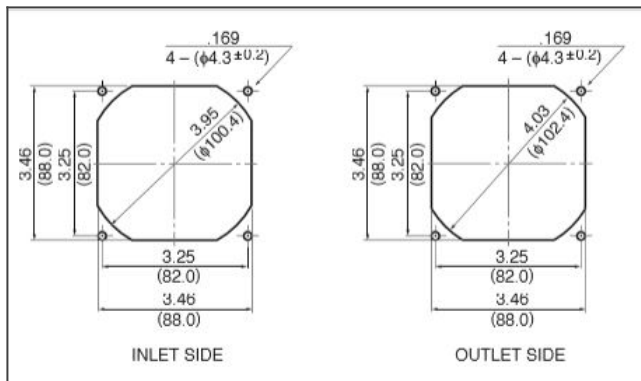
General Specifications

Motor Protection: Auto Restart/Polarity Protection
 Insulation Resistance: 10M Ohm or over with a DC500V Megger
 Dielectric Withstand Voltage: AC 700V 1st
 Allowable Ambient Temperature Range:
 B50 Class: -10 degree C ~ +60 degree C (Operating)
 B30 ~ B40 Class: -40 degree C ~ +70 degree C (Operating)
 All Class: -40 degree C ~ +70 degree C (Storage)
 (non-condensing environment)

order part 3615KL-05W-B39-P00 Ball Bearing Fan DC Fans



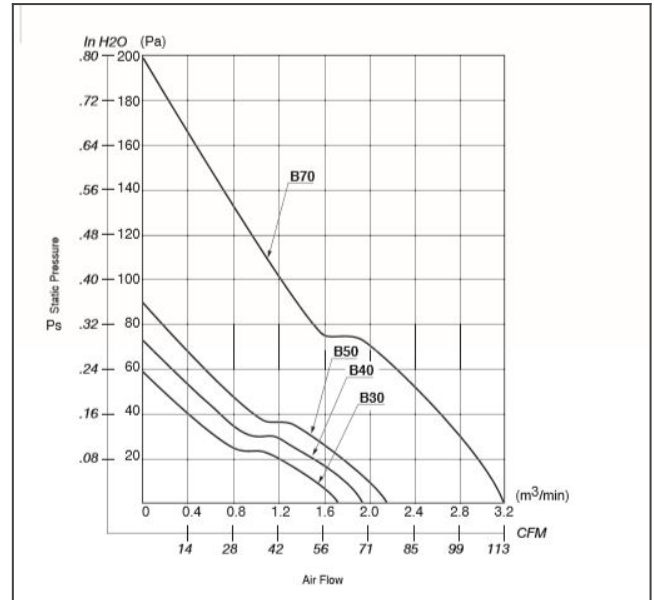
3615KL panel cut out



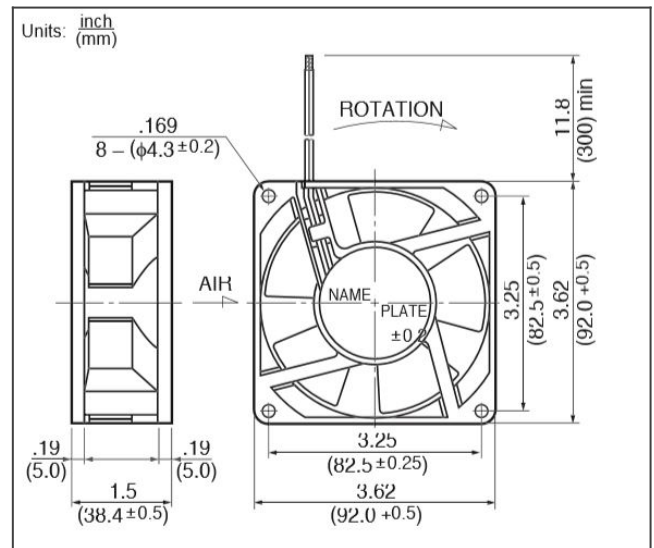
Material

Casing: Plastic (Black) 94V-0
 Impeller: Plastic (Black) 94V-0
 Lead Wire: UL1007, AWG24, +Red, -Black

3615KL characteristic curve



3615KL product drawing



Detailed Specifications

Expected Life:	25 degree C 100,000 Hrs. (P00)
DC Fan:	Ball Bearing Fan
Nominal Voltage:	24[V]
Operating Voltage Lower:	12[V]
Operating Voltage Upper:	26.4[V]
Current:	0.15[A]
Input Power:	3.6[W]
Speed:	3200[min^{-1}]
Max. Air Flow:	1.71[m^3/min]
Max. Air Flow:	60.2[CFM]
Max. Static Pressure:	57.9[Pa]
Max. Static Pressure:	0.23[In H ₂ O]
Noise:	40.5[dB]
Mass:	210[g]
Fan Size:	92[mm]
Fan Width:	38[mm]
Life Expectancy L10:	25 degree C 100,000 Hrs. (P00)
Series:	3615KL

DC Fans