

## General Specifications

Motor Protection: Auto Restart/Polarity Protection  
 Insulation Resistance: 10M Ohm or over with a DC500V Megger  
 Dielectric Withstand Voltage: AC 700V 1st  
 Allowable Ambient Temperature Range:  
 B50 Class: -10 degree C ~ +60 degree C (Operating)  
 B30 ~ B40 Class: -40 degree C ~ +70 degree C (Operating)  
 All Class: -40 degree C ~ +70 degree C (Storage)  
 (non-condensing environment)

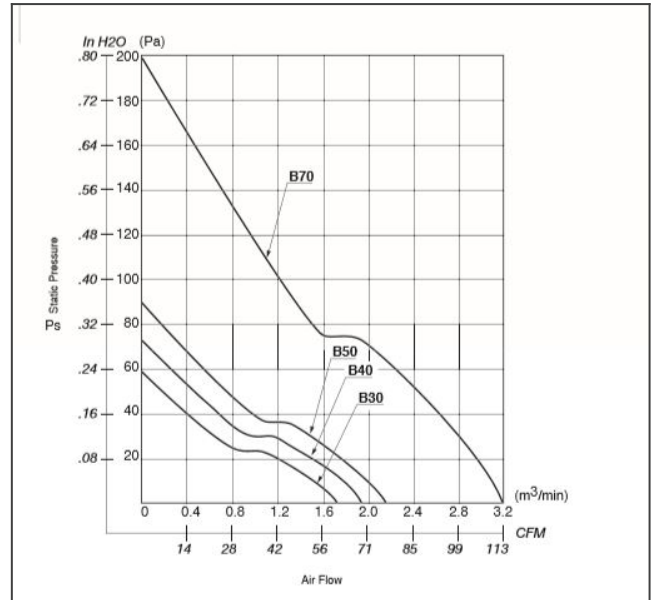
## Material

Casing: Plastic (Black) 94V-0  
 Impeller: Plastic (Black) 94V-0  
 Lead Wire: UL1007, AWG24, +Red, -Black

**3615KL product picture**

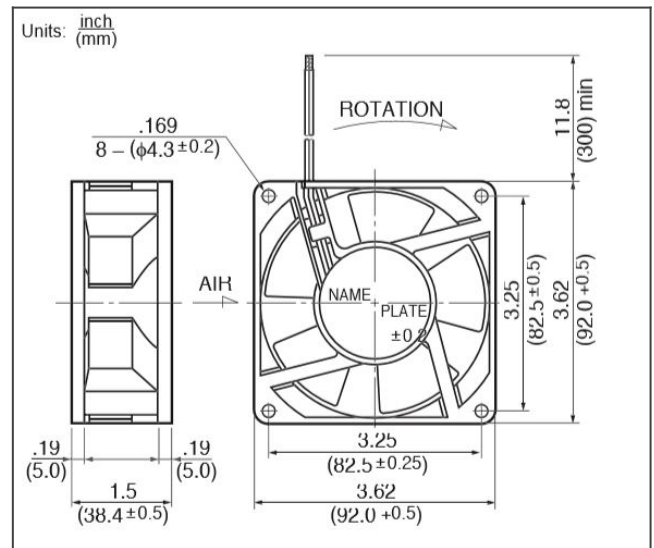


**3615KL characteristic curve**

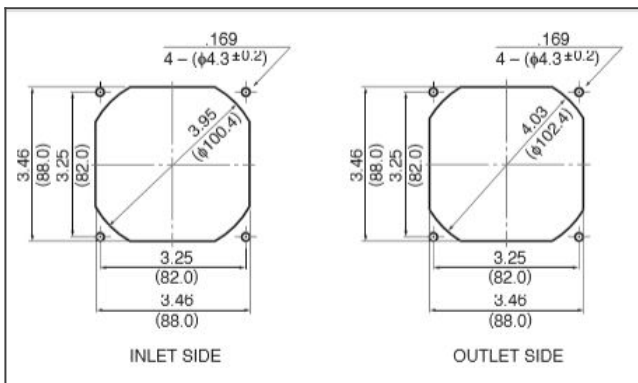


DC Fans

**3615KL product drawing**



**3615KL panel cut out**



## Detailed Specifications

<b>Expected Life:</b>	25 degree C 100,000 Hrs. (P00)
<b>DC Fan:</b>	Ball Bearing Fan
<b>Nominal Voltage:</b>	24
<b>Operating Voltage Lower:</b>	12
<b>Operating Voltage Upper:</b>	25.2
<b>Current:</b>	0.24
<b>Input Power:</b>	5.76
<b>Speed:</b>	4000
<b>Max. Air Flow:</b>	2.16
<b>Max. Air Flow:</b>	76.2
<b>Max. Static Pressure:</b>	89.2
<b>Max. Static Pressure:</b>	0.36
<b>Noise:</b>	46.5
<b>Mass:</b>	210
<b>Fan Size:</b>	92
<b>Fan Width:</b>	38

DC Fans