

General Specifications

Motor Protection: Auto Restart/PolarityProtection
 Insulation Resistance: 10M Ohm or over with a DC500V Megger
 Dielectric Withstand Voltage: AC 700V 1st
 Allowable Ambient Temperature Range:
 -10 degree C ~ +70 degree C (Operating)
 -40 degree C ~ +70 degree C (Storage)
 (non-condensing environment)

Material

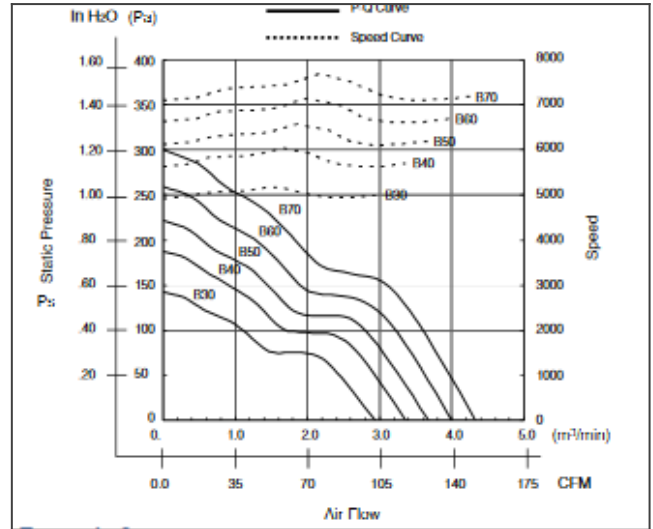
Casing: Plastic (Black) UL94V-0
 Impeller: Plastic (Black) UL94V-0
 Lead Wire: UL3385, AWG26, +Red, -Black

order part 3615RL-05W-B79-E00 Ball Bearing Fan DC Fans

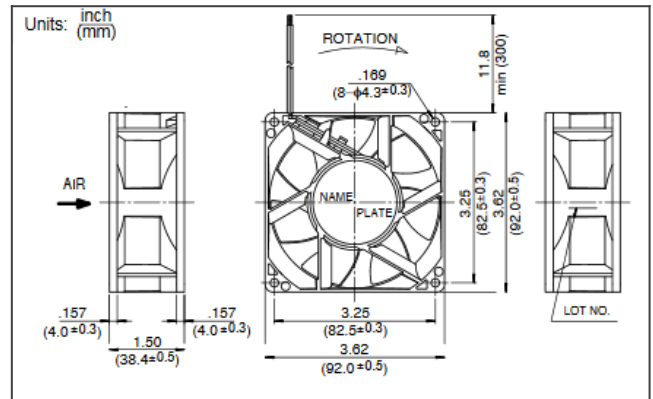


DC Fans

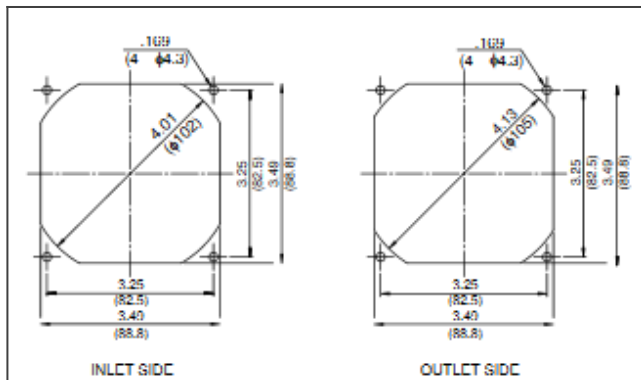
3615RL characteristic curve



3615RL product drawing



3615RL panel cut out



Detailed Specifications

DC Fans

Expected Life:	25 degree C 100,000 Hours (L10)
DC Fan:	Ball Bearing Fan
Nominal Voltage:	24[V]
Operating Voltage Lower:	14[V]
Operating Voltage Upper:	26.4[V]
Industry:	Food Processing / Power Tools / Industrial Machines
Current:	1.13[A]
Input Power:	27.1[W]
Speed:	7200[min^{-1}]
Max. Air Flow:	4.32[m^3/min]
Max. Air Flow:	152.5[CFM]
Max. Static Pressure:	300[Pa]
Max. Static Pressure:	1.2[In H ₂ O]
Noise:	62.5[dB]
Mass:	230[g]
Fan Size:	92[mm]
Fan Width:	38[mm]
Life Expectancy L10:	25 degree C 100,000 Hours (L10)
Series:	3615RL