

General Specifications

Motor Protection: Auto Restart
 Insulation Resistance: 10M Ohm or over with a DC500V Megger
 Dielectric Withstand Voltage: AC 700V 1st
 Allowable Ambient Temperature Range:
 -10 degree C ~ +70 degree C (Operating)
 -40 degree C ~ +70 degree C (Storage)
 (non-condensing environment)

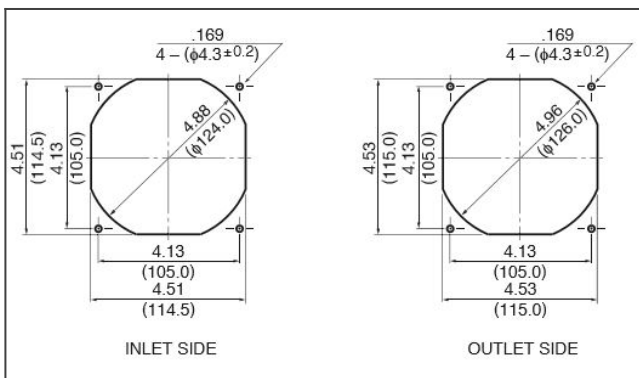
Material

Casing: Plastic (Black) UL94V-0
 Impeller: Plastic (Black) UL94V-0
 Lead Wire: UL10368, AWG26, +Red, -Black

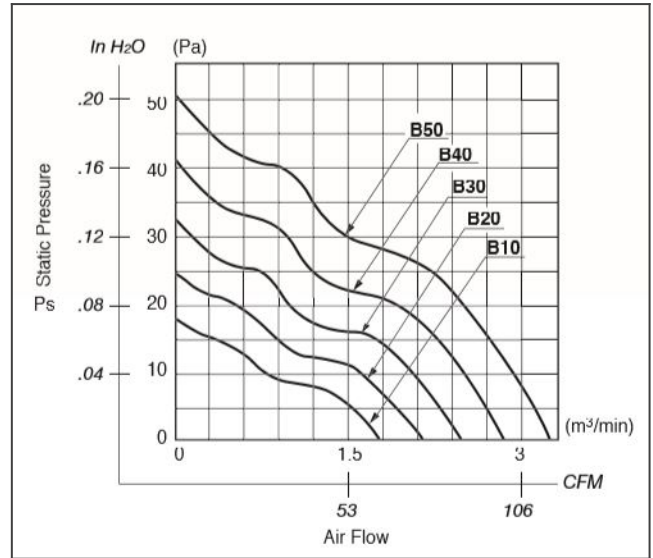
4710KL product picture



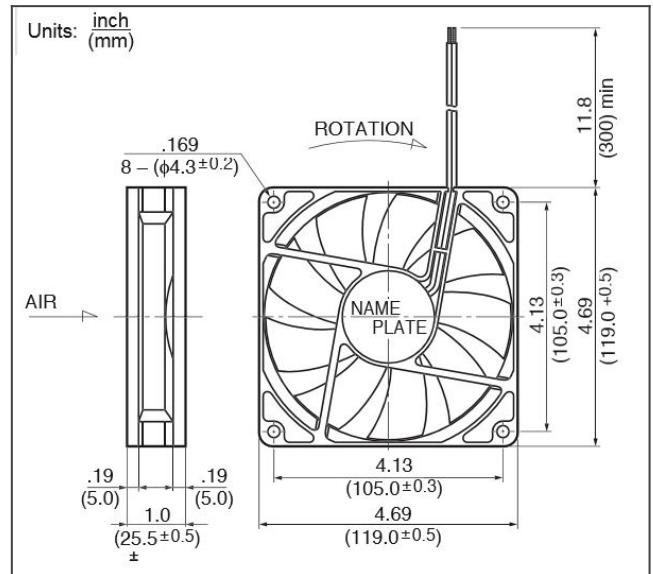
4710KL panel cut out



4710KL characteristic curve



4710KL product drawing



Detailed Specifications

Expected Life:	40 degree C 50,000 Hours (L10)
DC Fan:	Ball Bearing Fan
Nominal Voltage:	12
Operating Voltage Lower:	6
Operating Voltage Upper:	13
Current:	0.55
Input Power:	6.6
Speed:	2800
Max. Air Flow:	3.25
Max. Air Flow:	114.7
Max. Static Pressure:	50.5
Max. Static Pressure:	0.2
Noise:	41.5
Mass:	180
Fan Size:	119
Fan Width:	25

DC Fans