

General Specifications

Motor Protection: Auto Restart
 Insulation Resistance: 10M Ohm or over with a DC500V Megger
 Dielectric Withstand Voltage: AC 700V 1st
 Allowable Ambient Temperature Range:
 -10 degree C ~ +70 degree C (Operating)
 -40 degree C ~ +70 degree C (Storage)
 (non-condensing environment)

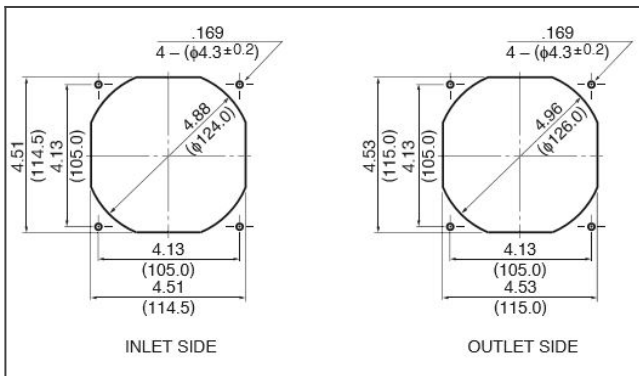
Material

Casing: Plastic (Black) UL94V-0
 Impeller: Plastic (Black) UL94V-0
 Lead Wire: UL10368, AWG26, +Red, -Black

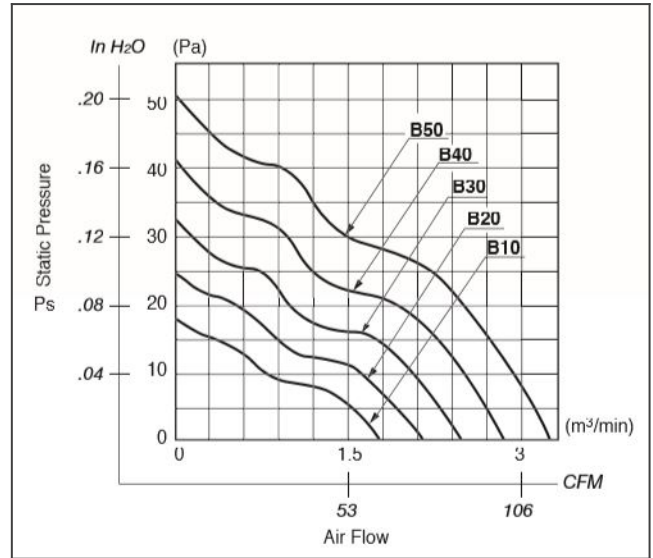
4710KL product picture



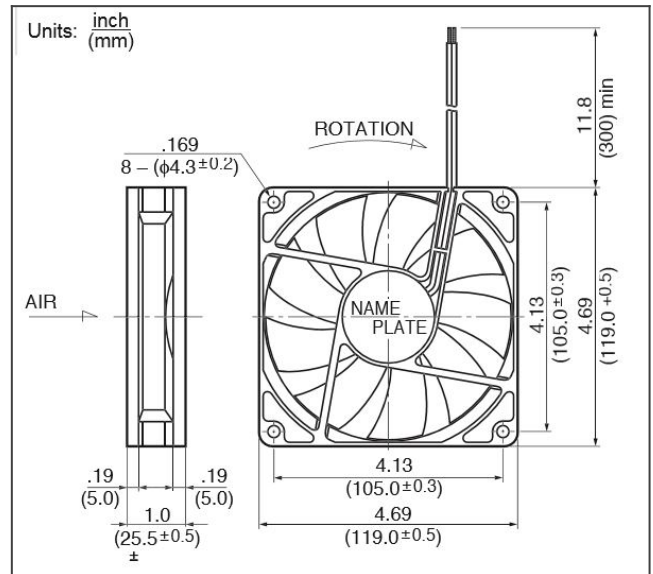
4710KL panel cut out



4710KL characteristic curve



4710KL product drawing



Detailed Specifications

Expected Life:	40 degree C 50,000 Hours (L10)
DC Fan:	Ball Bearing Fan
Nominal Voltage:	24
Operating Voltage Lower:	10
Operating Voltage Upper:	27.6
Current:	0.08
Input Power:	1.92
Speed:	1600
Max. Air Flow:	1.8
Max. Air Flow:	63.5
Max. Static Pressure:	17.9
Max. Static Pressure:	0.07
Noise:	27
Mass:	180
Fan Size:	119
Fan Width:	25

DC Fans