

General Specifications

Motor Protection: Auto Restart / Polarity Protected
 Insulation Resistance: 10M Ohm or over with a DC500V Megger
 Dielectric Withstand Voltage: AC 700V 1st
 Allowable Ambient Temperature Range:
 B50 Class: -10 degree C ~ +60 degree C (Operating)
 B10 ~ B40 Class: -10 degree C ~ +70 degree C (Operating)
 All Class: -40 degree C ~ +70 degree C (Storage)
 (non-condensing environment)

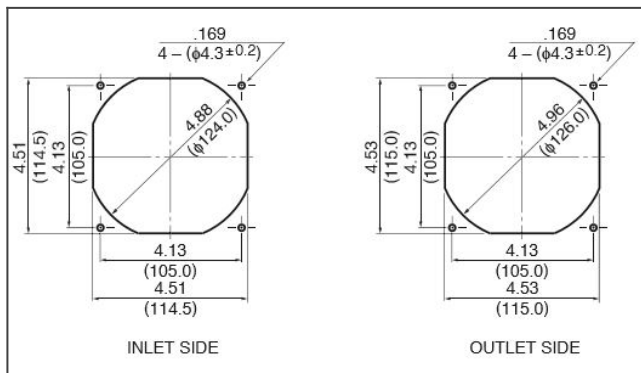
Material

Casing: Plastic (Black) UL94V-0
 Impeller: Plastic (Black) UL94V-0
 Lead Wire: UL1007, AWG24, +Red, -Black

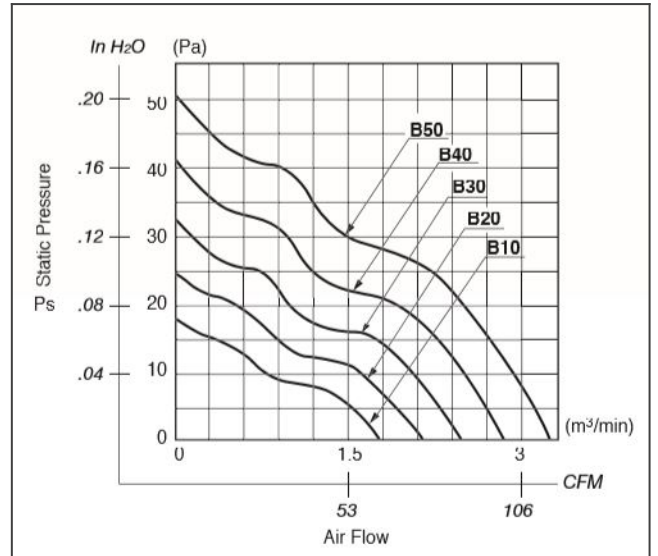
order part 4710KL-05W-B20-L00 Ball Bearing Fan DC Fans



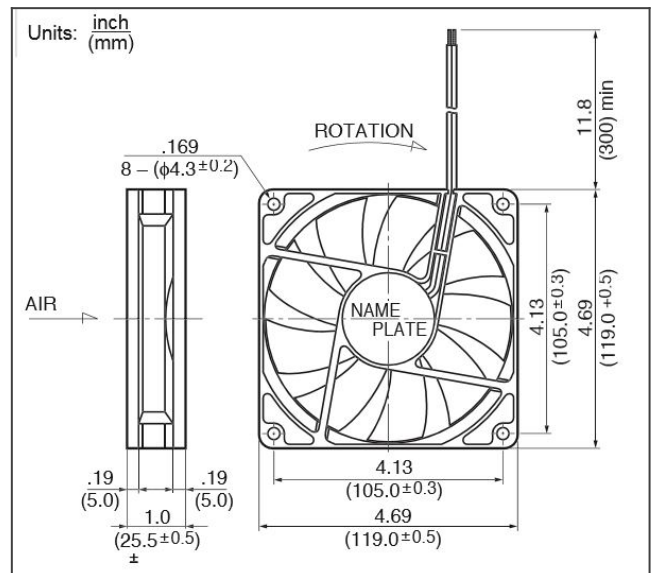
4710KL panel cut out



4710KL characteristic curve



4710KL product drawing



Detailed Specifications

DC Fans

| | |
|---------------------------------|---|
| Expected Life: | 40 degree C 50,000 Hours (L10) |
| DC Fan: | Ball Bearing Fan |
| Nominal Voltage: | 24[V] |
| Operating Voltage Lower: | 10[V] |
| Operating Voltage Upper: | 27.6[V] |
| Current: | 0.1[A] |
| Input Power: | 2.4[W] |
| Speed: | 1900[min^{-1}] |
| Max. Air Flow: | 2.15[m^3/min] |
| Max. Air Flow: | 75.9[CFM] |
| Max. Static Pressure: | 24.8[Pa] |
| Max. Static Pressure: | 0.1[In H ₂ O] |
| Noise: | 31[dB] |
| Mass: | 180[g] |
| Fan Size: | 119[mm] |
| Fan Width: | 25[mm] |
| Life Expectancy L10: | 25 degree C 100,000 Hours (L10) (B00 / E00) |
| Series: | 4710KL |