

**General Specifications**

Motor Protection: Auto Restart  
 Insulation Resistance: 10M Ohm or over with a DC500V Megger  
 Dielectric Withstand Voltage: AC 700V 1st  
 Allowable Ambient Temperature Range:  
 -10 degree C ~ +70 degree C (Operating)  
 -40 degree C ~ +70 degree C (Storage)  
 (non-condensing environment)

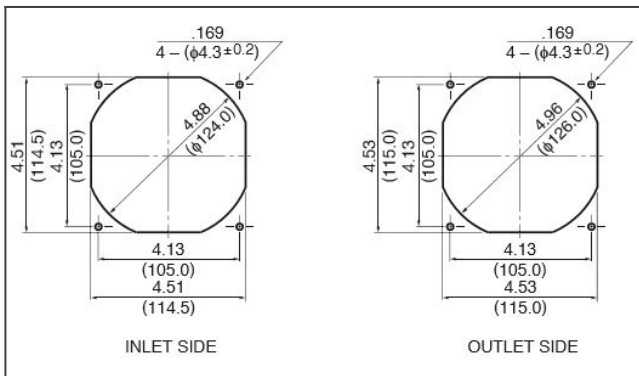
**Material**

Casing: Plastic (Black) UL94V-0  
 Impeller: Plastic (Black) UL94V-0  
 Lead Wire: UL10368, AWG26, +Red, -Black

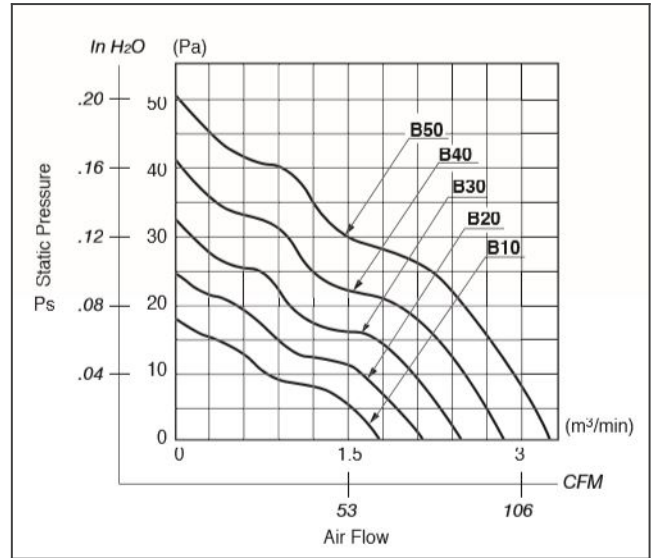
**4710KL product picture**



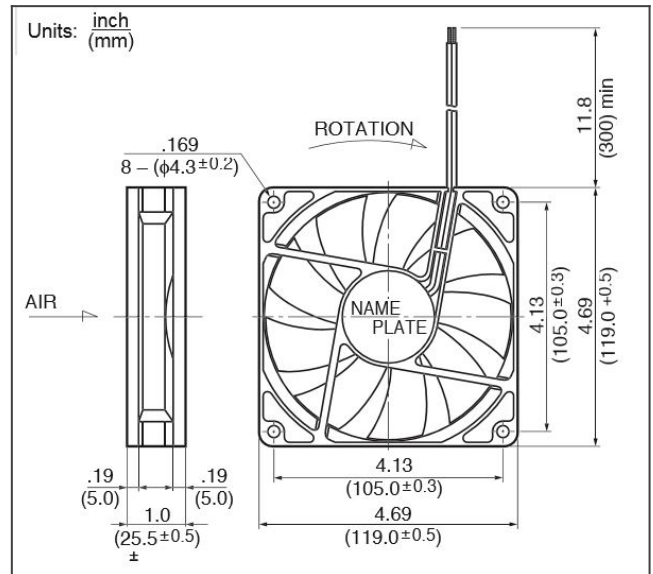
**4710KL panel cut out**



**4710KL characteristic curve**



**4710KL product drawing**



## Detailed Specifications

<b>Expected Life:</b>	40 degree C 50,000 Hours (L10)
<b>DC Fan:</b>	Ball Bearing Fan
<b>Nominal Voltage:</b>	24
<b>Operating Voltage Lower:</b>	10
<b>Operating Voltage Upper:</b>	27.6
<b>Current:</b>	0.15
<b>Input Power:</b>	3.6
<b>Speed:</b>	2200
<b>Max. Air Flow:</b>	2.5
<b>Max. Air Flow:</b>	88.2
<b>Max. Static Pressure:</b>	32.2
<b>Max. Static Pressure:</b>	0.13
<b>Noise:</b>	35
<b>Mass:</b>	180
<b>Fan Size:</b>	119
<b>Fan Width:</b>	25

DC Fans