

General Specifications

Motor Structure: Shaded Pole Induction Motor
 Motor Protection: Impedance Protection
 Insulation Resistance: 100M Ohm or over with DC500V Megger
 Dielectric Withstand Voltage: AC 1800V 3s
 Allowable Ambient Temperature Range:
 -10 degree C ~ +70 degree C (Operating)
 -40 degree C ~ +70degree C (Storage)
 (non-condensing environment)

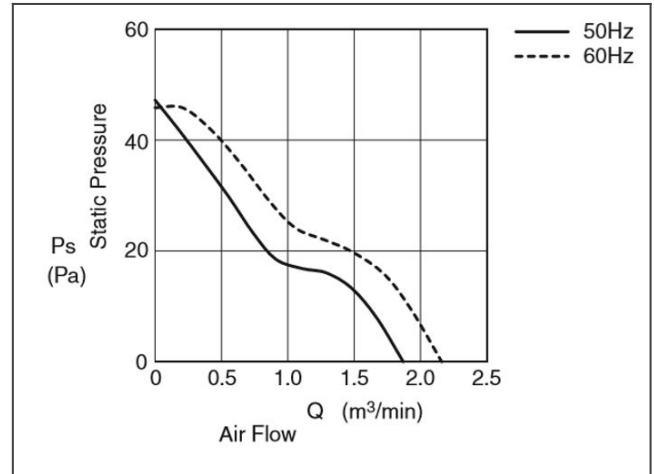
Material

Casing: Aluminum Black Painting
 Impeller: Plastic (Black) UL94V-0
 Lead Wire or Terminal: UL3266, AWG22 / Faston #110 or equivalent

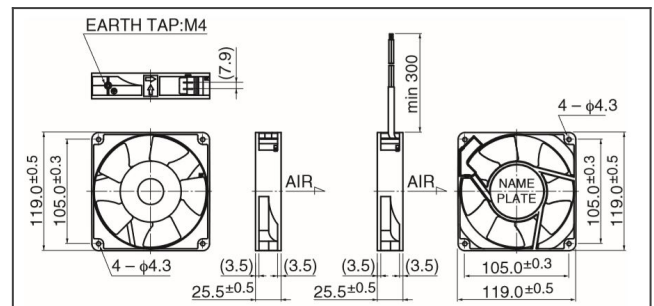
4710PS product picture



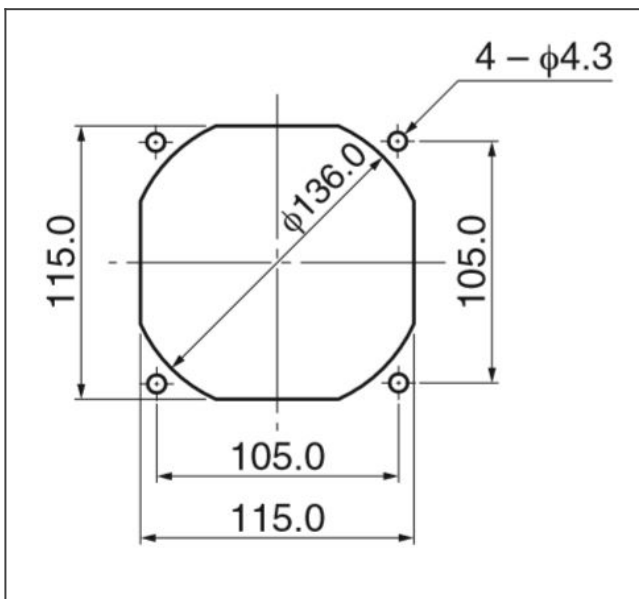
4710PS characteristics curve



4710PS product drawing



4710PS panel cut out



Detailed Specifications

Expected Life:	*Failure rate 10% 25deg.C 100,000 hours
Nominal Voltage:	115
Frequency:	60
Starting Voltage:	75
Industry:	Food Processing
AC Fans:	Ball Bearing Fan
Current:	0.16
Input Power (+10% - 20%):	11
Speed:	2700
Max. Air Flow:	2
Max. Air Flow:	71.4
Max. Static Pressure:	41.2
Max. Static Pressure:	0.16
Noise:	38
Fan Size:	119
Fan Width:	25
Mass:	360

AC Fans