

General Specifications

Motor Protection: Auto Restart / Polarity Protection
 Insulation Resistance: 10M Ohm or over with a DC500V Megger
 Dielectric Withstand Voltage: AC 700V 1st
 Allowable Ambient Temperature Range:
 B20, B30, B40 Class: -10 degree C ~ +70 degree C (Operating)
 B50 Class: -10 degree C ~ +50 degree C (Operating) -40 degree C ~ +70 degree C (Storage)
 (non-condensing environment)

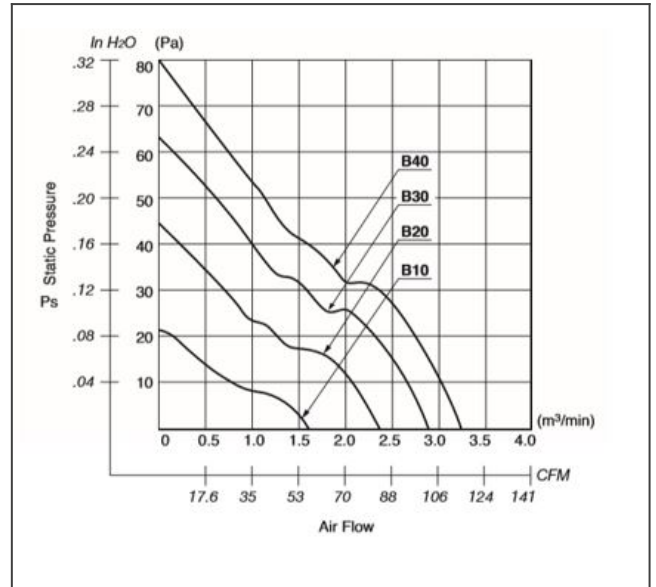
Material

Casing: Plastic (Black) UL94V-0
 Impeller: Plastic (Black) UL94V-0
 Lead Wire: UL1007, AWG24, +Red, -Black

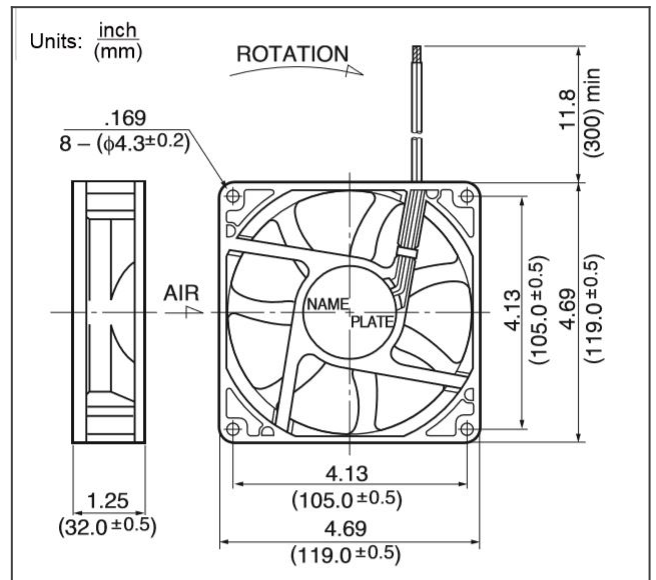
order part 4712KL-04W-B59-P00 Ball Bearing Fan DC Fans



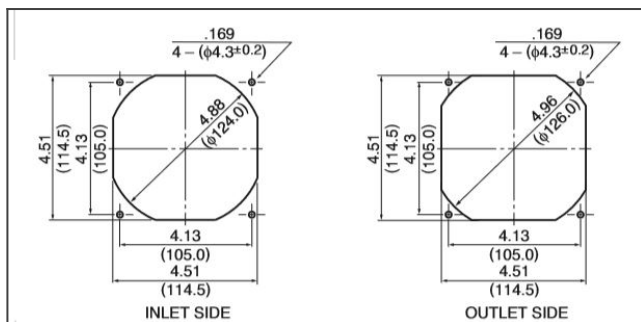
4712KL characteristic curve



4712KL product drawing



4712KL panel cut out



Detailed Specifications

Expected Life:	25 degree C 100,000 Hours (L10) P00
DC Fan:	Ball Bearing Fan
Nominal Voltage:	12[V]
Operating Voltage Lower:	6[V]
Operating Voltage Upper:	13.8[V]
Current:	0.85[A]
Input Power:	10.2[W]
Speed:	3300[min^{-1}]
Max. Air Flow:	3.36[m^3/min]
Max. Air Flow:	120[CFM]
Max. Static Pressure:	93[Pa]
Max. Static Pressure:	0.373[In H ₂ O]
Noise:	50.5[dB]
Mass:	240[g]
Fan Size:	119[mm]
Fan Width:	32[mm]
Life Expectancy L10:	25 degree C 100,000 Hours (L10) P00
Series:	4712KL

DC Fans